



KRATOS MKI LED FLOODLIGHT

GENLUX LIGHTING

a lighting technology company



GENERAL TECHNICAL DATA & WARRANTY INFORMATION

Typical applications:	<ul style="list-style-type: none"> • General area lighting • High mast lighting • Stadium & sport lighting 	
Light source:	<ul style="list-style-type: none"> • High Output SMD LED Module 	
Colour temperature:	<ul style="list-style-type: none"> • 3000K* • 4000K (Standard) • 5000K* 	
Operating temperature range:	-30°C to 45°C	
Relative humidity	Operational:	5% to 95%
	Storage:	10% to 90%
Design life:	100 000 hours	
Lumen maintenance:	Up to L90 @ 100 000 hours	
IP Rating:	IP66	
Luminaire & Control gear housing:	High-pressure, die-cast, aluminum (marine-grade or equivalent) finished with a durable dark grey polyester epoxy powder coating. [Grey is the standard colour, other colours available on request]	
Luminaire clips and fasteners:	304 Grade stainless steel	
Diffuser:	4mm Clear tempered glass diffuser	
Optics:	Optical grade acrylic (PMMA) ZHAGA "Book 15" compliant lenses	
Impact protection grade:	IK08	
Mounting options:	Adjustable Stirrup mounting system suitable for mounting on high mast structures and conventional building surfaces.	
Windage area:	<ul style="list-style-type: none"> • 1 Way – 0.093m² • 2 Way – 0.183m² • 3 Way – 0.325m² • 4 Way – 0.373m² 	
Dimmable:	1-10V or Dali*	
Surge protection:	10+10kV / 10+10kA	
Power supply:	Performance:	202V to 254V AC (47 to 63 Hz)
	Operation:	85V to 264V AC (45 to 66Hz)
Power factor:	0.98	
Insulation classification:	Class 1	
THD (Total harmonic distortion):	5%	
Compliance standard/s:	<ul style="list-style-type: none"> • SANS / IEC 60598-2-5 • SANS 475 	

[*Available on request]



KRATOS MKI LED FLOODLIGHT

TYPICAL CONFIGURATIONS



SI "Single" Head Piece

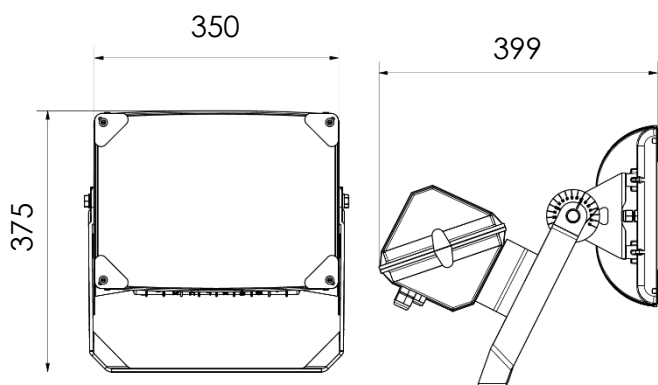
DB "Double" Head Piece

TRI "Triple" Head Piece

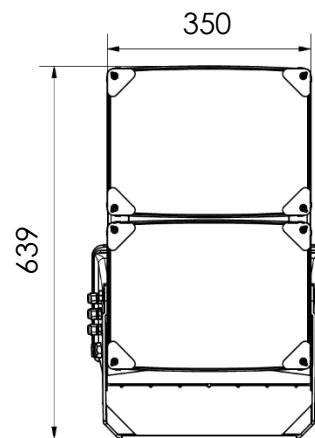
QUAD "Quad" Head Piece

TYPICAL DIMENSION

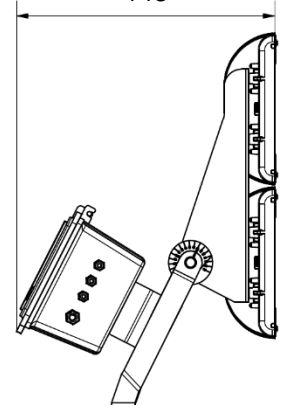
SI



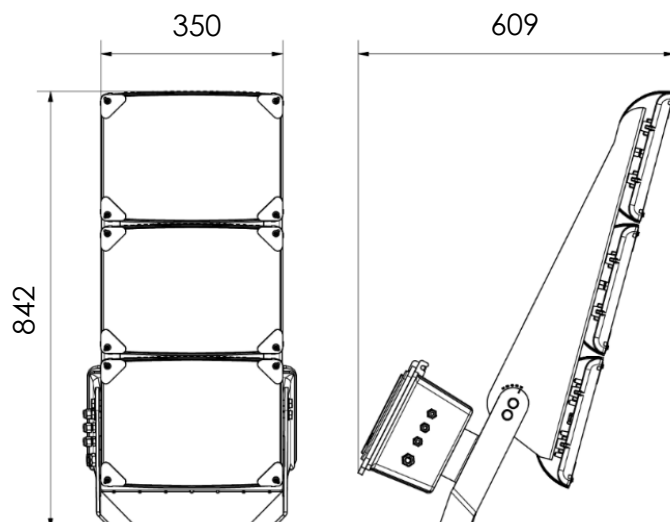
DB



445

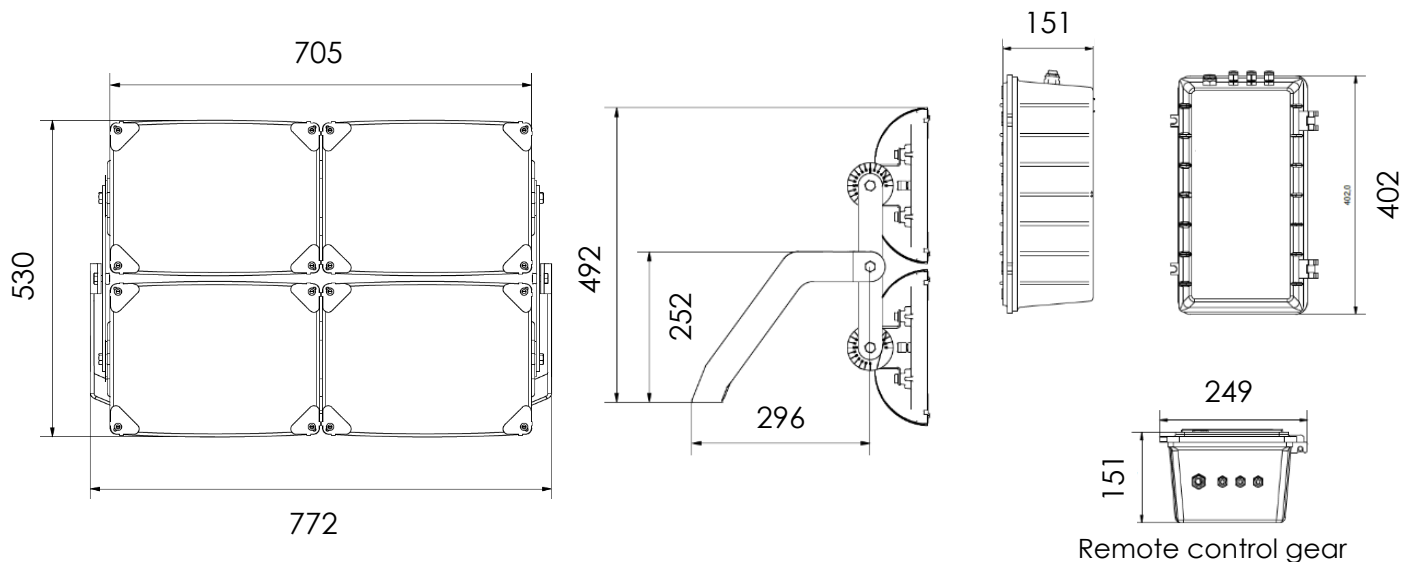


TRI

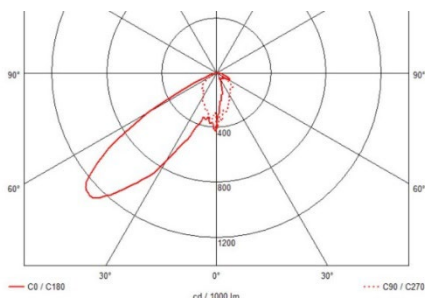




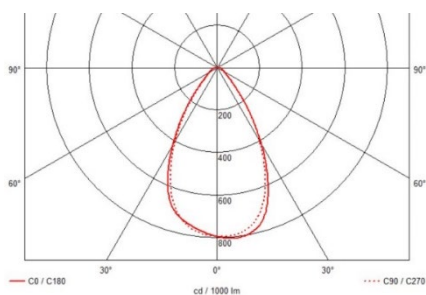
QUAD



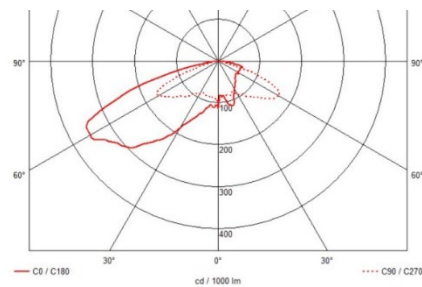
TYPICAL LIGHT DISTRIBUTION OPTION



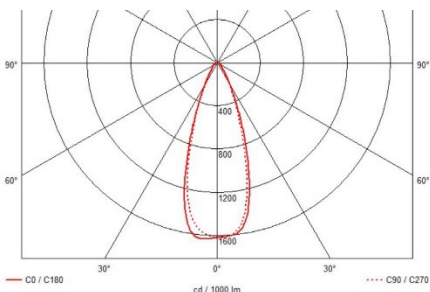
Optic 41807



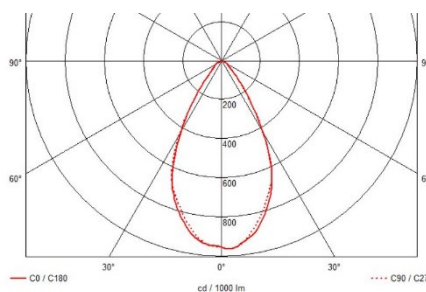
Optic 41808



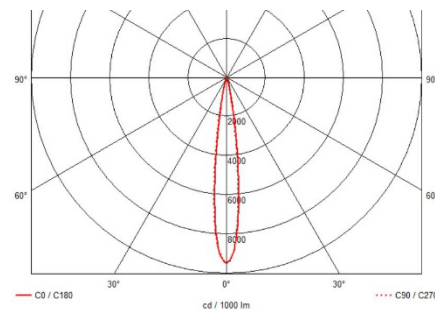
Optic 41815



Optic 41819



Optic 41820



Optic 41821

- For best light distribution option please request a lighting design for specific application.



KRATOS MKI LED FLOODLIGHT

PRODUCT VARIATIONS

Variation	Driving Current (mA)	Nominal light output (lm) *1	Effective light output (lm) *1	Typical Power Consumption (W)	CRI *1 / *3	Lumen Maintenance *2	Weight (Kg) *4
SI 3	700	32 076	25 661	215	70	L90	14.0
SI 4	600	37 354	29 883	244			
DB 3	550	51 846	41 477	330			24.0
	660	60 943	48 754	400			
	700	64 151	51 321	430			
DB 4	600	74 707	59 766	488			34.0
TRI 3	660	91 413	73 131	600			
	700	96 227	76 982	645			
TRI 4	600	112 061	89 649	733			49.0
QUAD 3	550	103 692	82 954	661			
	660	121 884	97 508	800			
	700	128 302	102 642	859			
QUAD 4	600	149 415	119 532	977			

KEY'S & IMPORTANT NOTES

(*1) Measurement precision for flux +/- 5%, for efficacy +/- 6%, for CRI +/- 1.5

(*2) Lumen maintenance L90 = up to 90% of initial flux @ ta 35°C / 100 000hrs

(*3) 80 CRI available on request

(*4) Control box weight included

- **E.&O.E.** (errors and omissions excepted)
- **Important notes:**
 - Due to the rapid development in LED technology the performance values, power consumption and lumen output levels stated above are subject to change without prior notice.
 - For any requirements not covered in the above variations please contact us for a tailored solution