



VULCAN HID



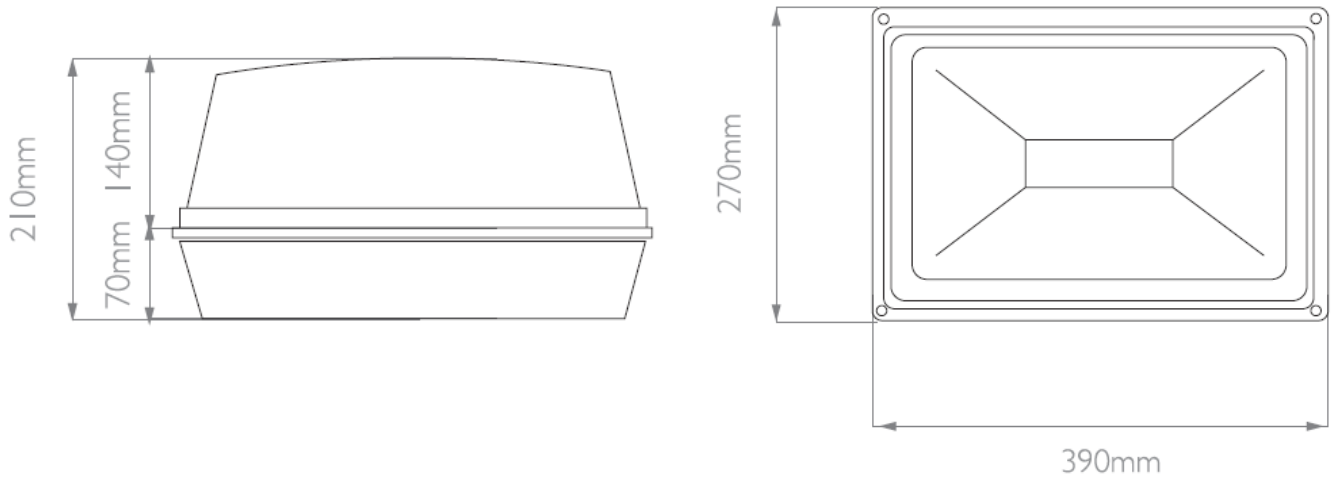
GENERAL TECHNICAL DATA & WARRANTY INFORMATION.

Typical applications:	<ul style="list-style-type: none"> • Industrial application • Passage lighting • Security and perimeter lighting • Tunnel lighting application • General mining and conveyor applications
Light source:	HID or CFL lamp
Reflector:	A single piece die formed high reflectance aluminium reflector
IP Rating:	IP66
Luminaire housing:	High-pressure die-cast LM6 aluminium.
Fasteners:	304 Grade* stainless steel [*316 Grade available on request]
Diffuser:	Injection moulded high-impact acrylic diffuser with internal prisms
Power supply:	220V to 240V AC 50/60 Hz
Power factor:	0.98
Insulation classification:	Class 1
Compliance standard/s:	SANS 60598-2-1

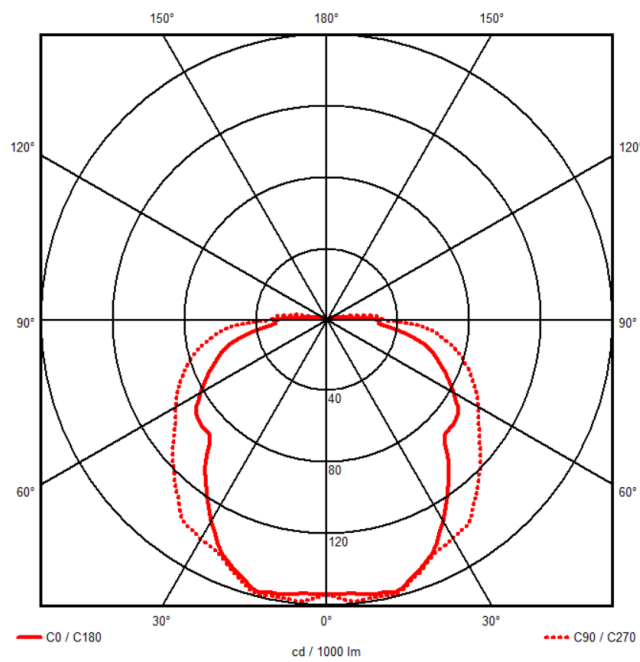
DIMENSIONS



VULCAN HID



TYPICAL LIGHT DISTRIBUTION



- For best light distribution option please request a lighting design for specific application.

PRODUCT VARIATIONS



VULCAN HID

Typical Power Consumption (W)	Typical effective Lumen output *1 (lm)	Typical efficiency (lm/W)	Weight (Kg)
High Pressure Sodium (HPS)			
50	4 000	80	4.5
70	6 600	94	
100	10 700	107	
150	17 500	116	
Metal Halide (MH)			
50	4 000	80	4.5
70	7 200	102	
100	10 000	100	
150	15 000	100	
Mercury Vapour (MV)			
80	4 000	50	4.5
125	6 800	54	
CFL (PL)			
2 x 26	3 600	69	3

KEY's & IMPORTANT NOTES

(*1) The above lumen outputs are based on the typical performance characteristics of commercially available lamps

- **E.&O.E.** (errors and omissions excepted)