



APOLLO STREETLIGHT HID



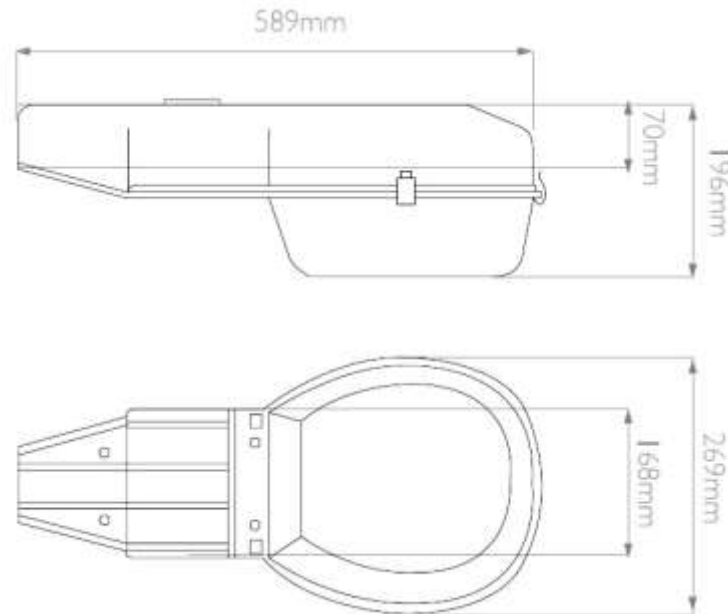
GENERAL TECHNICAL DATA & WARRANTY INFORMATION

Typical applications:	<ul style="list-style-type: none"> • Class B Roadway lighting • Parking areas • Perimeter lighting, security and development lighting • Residential and commercial areas
Light source:	HID and CFL lamps
Lamp options:	<ul style="list-style-type: none"> • E40 GES porcelain • E27 ES porcelain • PL
Reflector:	99.9% Specular high purity anodised aluminium chemically brightened, for maximum efficiency.
IP Rating:	IP66 (Lamp and gear compartment)
Luminaire housing:	The main body, gear compartment lid and bulkhead are manufactured from high-pressure injection moulded UV-stabilised high-impact polypropylene.
Luminaire clips and fasteners:	The three clips, on the diffuser are manufactured from 304 Grade stainless steel, all internal nuts and bolts are cadmium plated.
Diffuser:	The diffuser is manufactured from injection moulded U.V. stabilised, high impact clear acrylic.
Mounting and mounting options:	<ul style="list-style-type: none"> • Rear spigot entry 42mm Ø • Bottom entry possible with pole to adaptor
Windage area:	0.114m ²
Day – Night Switching:	<ul style="list-style-type: none"> • NEMA PCU • Royce Thompson Micro PCU
Internal circuit breaker:	The circuit breaker comes with a neoprene transparent circuit breaker boot, IP66 rated* [*Available on request]
Spigot entry and size:	The spigot entry clamps are manufactured from galvanized mild steel, with an adjustable spigot. Size options include 32mm Ø or 42mm Ø
Gear tray:	The gear tray is manufactured from galvanised mild steel and is fitted to the main body by two screws in key slots to allow easy removal and replacement
Gasket:	The gasket is of silicone sponge, fitted in a groove on the main body to prevent the ingress of water, dust or insects
Control gear:	The choke, capacitor and ignitor are fastened directly to a removable gear tray fastened to the main body, all control gear is ISO approved
Electrical connection:	three way 15 amp connector block is provided
Power supply:	220V to 240V AC 50 Hz
Power factor:	0.98
Insulation classification:	Class 1
Weight:	9.3 kg – 11 kg
Compliance standard/s:	<ul style="list-style-type: none"> • SANS 60598-2-3 • SANS 475
Warranty:	<ul style="list-style-type: none"> • 5 year warranty on luminaire body • 12 month warranty on internal components <p>[This warranty only covers defects or malfunctions caused during the manufacturing process or premature component failures that occur under normal operating conditions]</p>

DIMENSIONS

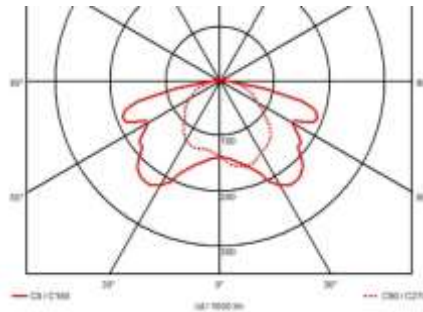


APOLLO STREETLIGHT HID

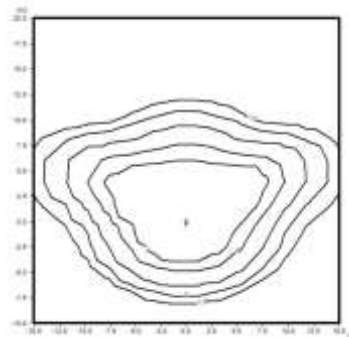


TYPICAL LIGHT DISTRIBUTION OPTIONS*

- POLAR DIAGRAMS



- ISOLUX DIAGRAMS



100W HPS

- *Other light distribution options available on request.
- For best light distribution option please request a lighting design for specific application.



APOLLO STREETLIGHT HID

PRODUCT VARIATIONS & ORDERING CODES

Typical Power Consumption (W)	Typical effective Lumen output *1 (lm)	Typical efficiency (lm/W)	Weight (Kg)	Ordering Code
High Pressure Sodium (HPS)				
70	6 300	90	9.3	23710P - no internal ignitor 23760P - c/w internal ignitor
100	10 400	104	10.7	23730P
Metal Halide (MH)				
70	7 200	102	9.3	23710/MP
100	10 600	106	10.7	23730/MHP
Mercury Vapour (MV)				
80	3 800	47.5	9.3	23720P
125	6 300	50	11	23740P
CFL (PL)				
2 x 18	2 400	66	11	23783P
2 x 26	3 600	69	11	23780P
1 x 57	4 800	82	11	23790P

KEY'S & IMPORTANT NOTES

(*1) The above lumen outputs are based on the typical performance characteristics of commercially available lamps

- **E.&O.E.** (errors and omissions excepted)