



GENERAL TECHNICAL DATA & WARRANTY INFORMATION

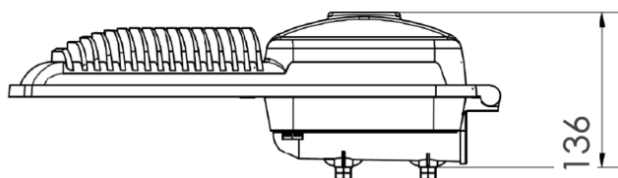
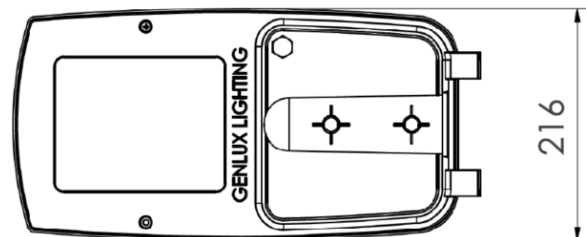
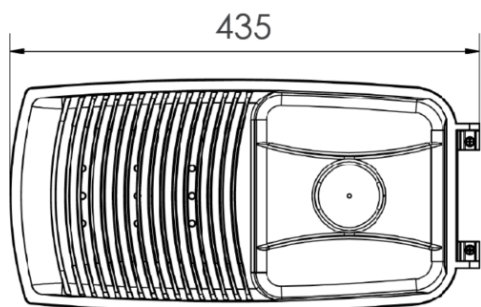
Typical applications:	<ul style="list-style-type: none"> • Class B Roadway lighting • Parking areas • Commercial areas • Residential areas 				
Light source:	High powered LED Modules				
Colour temperature:	<ul style="list-style-type: none"> • 3000K* • 4000K • 5000K* 				
Operating temperature range:	-30°C to 45°C				
Relative humidity:	<table border="1"> <tr> <td>Operational:</td> <td>5% to 95%</td> </tr> <tr> <td>Storage:</td> <td>10% to 90%</td> </tr> </table>	Operational:	5% to 95%	Storage:	10% to 90%
Operational:	5% to 95%				
Storage:	10% to 90%				
Design life:	100 000 hours				
Typical Lumen maintenance:	Up to L70 @ 100 000 hours				
IP Rating:	IP66 (Lamp and gear compartment)				
Luminaire housing:	High-pressure die-cast LM6 aluminium finished with a durable dark grey* polyester epoxy powder coating. [*Grey is the standard colour, unpainted or other colours available on request]				
Luminaire clips and fasteners:	<ul style="list-style-type: none"> • 304 Grade stainless steel • 316 Grade stainless steel* 				
Diffuser:	<ul style="list-style-type: none"> • 4mm Clear tempered glass diffuser • High impact PC diffuser* 				
Optics:	Optical grade acrylic (PMMA) Zhaga book 15 compliant lenses				
Impact protection grade:	IK08				
Mounting options:	<ul style="list-style-type: none"> • Rear / Side spigot entry tapering from 45mm Ø to 42mm Ø • Spigot mounting depth 125mm 				
Windage area:	0.094m ²				
Dimmable:	1-10V* DALI* D4i*				
Surge protection:	10+10kV / 10+10kA				
Power supply:	220V to 240V AC 50/60 Hz				
Power factor:	0.98				
Insulation classification:	Class 1				
Compliance standard/s:	<ul style="list-style-type: none"> • SANS / IEC 60598-2-3 • SANS 475 				

[*Available on request]



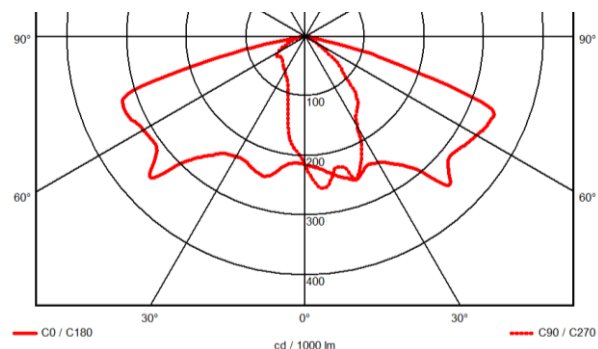
GEN 0 LED STREETLIGHT

DIMENSIONS

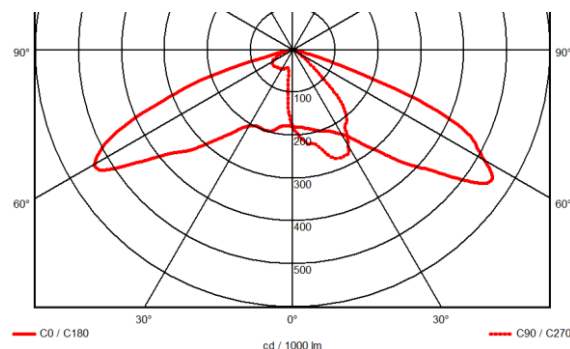


TYPICAL LIGHT DISTRIBUTION OPTIONS

- POLAR DIAGRAMS



Optic: 41801



Optic: 41810

- For best light distribution option please request a lighting design for specific application.



GEN 0 LED STREETLIGHT

PRODUCT VARIATIONS & ORDERING CODES

Driving Current [mA]	Luminous Flux *1 [lm]		Luminous Efficacy [lm/W]		Rated Power [W]	CRI *1/*3	Lumen Maintenance *2	Weight [kg]
	Nominal	Effective	Nominal	Effective				
200	2530	1901	150	116	16	70	L90	4.2
250	3125	2349	150	118	20			
300	3710	2789	150	119	23			
350	4285	3221	150	120	27			
400	4850	3645	149	119	30			
450	5404	4062	149	118	34			
500	5947	4471	148	116	38			
550	6481	4871	148	114	43			
600	7004	5265	147	110	47			
650	7517	5650	145	109	51			
700	8019	6028	144	108	56			

KEY's & IMPORTANT NOTES

(*1) Measurement precision for flux +/- 5%, for efficacy +/- 6%, for CRI +/- 1.5
(*2) Lumen maintenance L90 = 90% of initial flux @ ta 35°C / 100 000hrs
(*3) 80 CRI available on request

- **E.&O.E.** (errors and omissions excepted)
- **Important notes:**
 - Due to the rapid development in LED technology the performance values, power consumption and lumen output levels stated above are subject to change without prior notice.
 - For any requirements not covered in the above variations please contact us for a tailored solution