



# GENLUX LIGHTING

a lighting technology company



## GENERAL TECHNICAL DATA & WARRANTY INFORMATION

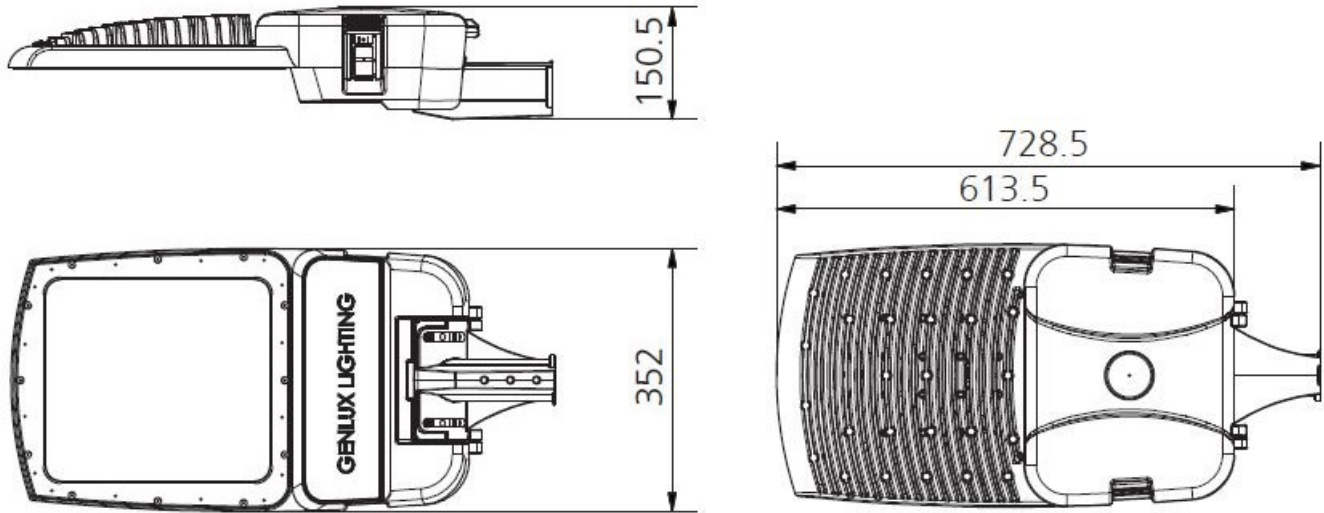
<b>Typical applications:</b>	<ul style="list-style-type: none"> <li>• Class A Roadway lighting</li> <li>• Class B Roadway lighting</li> <li>• Parking areas</li> <li>• Commercial areas</li> <li>• Residential areas</li> </ul>				
<b>Light source:</b>	High powered LED Modules				
<b>Colour temperature:</b>	<ul style="list-style-type: none"> <li>• 3000K*</li> <li>• 4000K</li> <li>• 5000K*</li> </ul> [*Available on request]				
<b>Operating temperature range:</b>	-30°C to 45°C				
<b>Relative humidity:</b>	<table border="0"> <tr> <td><b>Operational:</b></td> <td>5% to 95%</td> </tr> <tr> <td><b>Storage:</b></td> <td>10% to 90%</td> </tr> </table>	<b>Operational:</b>	5% to 95%	<b>Storage:</b>	10% to 90%
<b>Operational:</b>	5% to 95%				
<b>Storage:</b>	10% to 90%				
<b>Design life:</b>	100 000 hours				
<b>Typical Lumen maintenance:</b>	Up to L90 @ 100 000 hours				
<b>IP Rating:</b>	IP66 (Lamp and gear compartment)				
<b>Luminaire housing:</b>	High-pressure die-cast LM6 aluminum finished with a durable dark grey* polyester epoxy powder coating. [*Grey is the standard colour, unpainted or other colours available on request]				
<b>Luminaire clips and fasteners:</b>	<ul style="list-style-type: none"> <li>• 304 Grade* stainless steel</li> </ul> [*316 Grade available on request]				
<b>Diffuser:</b>	<ul style="list-style-type: none"> <li>• 4mm Clear tempered glass diffuser</li> </ul> [High impact PC diffuser available on request]				
<b>Optics:</b>	Optical grade acrylic (PMMA) Zhaga book 15 compliant lenses				
<b>Impact protection grade:</b>	IK08				
<b>Mounting options:</b>	<ul style="list-style-type: none"> <li>• Rear / Side spigot entry tapering from 45mm Ø to 42mm Ø</li> <li>• Spigot mounting depth 125mm</li> </ul>				
<b>Windage area:</b>	0.12m <sup>2</sup>				
<b>Dimmable:</b>	1-10V or DALI* [*Available on request]				
<b>Surge protection:</b>	10+10kV / 10+10kA				
<b>Power supply:</b>	220V to 240V AC 50/60 Hz				
<b>Power factor:</b>	0.98				
<b>Insulation classification:</b>	Class 1				
<b>Weight:</b>	15.2kg - 16.5 kg				
<b>Compliance standard/s:</b>	<ul style="list-style-type: none"> <li>• SANS / IEC 60598-2-3</li> <li>• SANS 475</li> </ul>				

[\*Available on request]



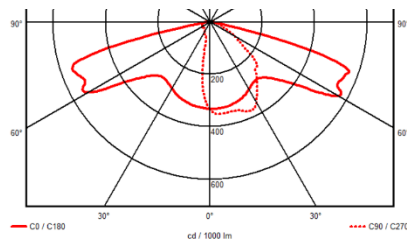
# GEN II HP LED STREETLIGHT

## DIMENSIONS

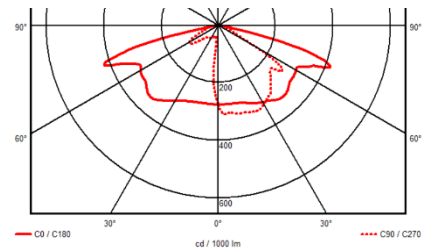


## TYPICAL LIGHT DISTRIBUTION OPTIONS

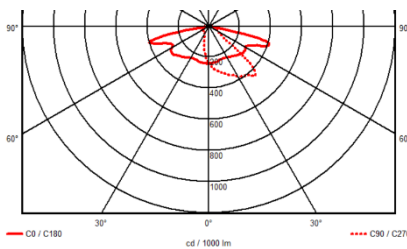
- POLAR DIAGRAMS



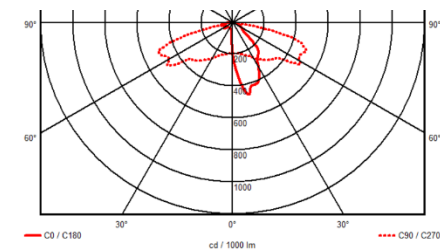
**Optic: 41801**



**Optic: 41803**



**Optic: 41804**



**Optic: 41805**

- For best light distribution option please request a lighting design for specific application.



# GEN II HP LED STREETLIGHT

## PRODUCT VARIATIONS & ORDERING CODES

Variation	Driving Current (mA)	Nominal Luminous flux *1 (lm)	Effective Lumen output *1 (lm)	Typical Power Consumption (W)	CRI *1 / *3	Lumen Maintenance *2	Weight (Kg)		
GEN II HP SL 3	510	23 816	19 053	155	70	L90	15.2		
	550	25 923	20 738	165					
	600	28 015	22 412	180					
GEN II HP SL 4	460	28 980	23 184	184			70	L90	15.2
	510	31 755	25 404	206					
	540	33 420	26 736	220					
	650	39 525	31 620	270					
GEN II HP SL 5	355	28 941	23 153	170			70	L90	16.5
	500	39 000	31 200	252					
	550	41 401	33 212	280					

### KEY's & IMPORTANT NOTES

(\*1) Measurement precision for flux +/- 5%, for efficacy +/- 6%, for CRI +/- 1.5

(\*2) Lumen maintenance L90 = 90% of initial flux @ ta 35°C / 100 000hrs

(\*3) 80 CRI available on request

- **E.&O.E.** (errors and omissions excepted)
- **Important notes:**
  - Due to the rapid development in LED technology the performance values, power consumption and lumen output levels stated above are subject to change without prior notice.
  - For any requirements not covered in the above variations please contact us for a tailored solution