

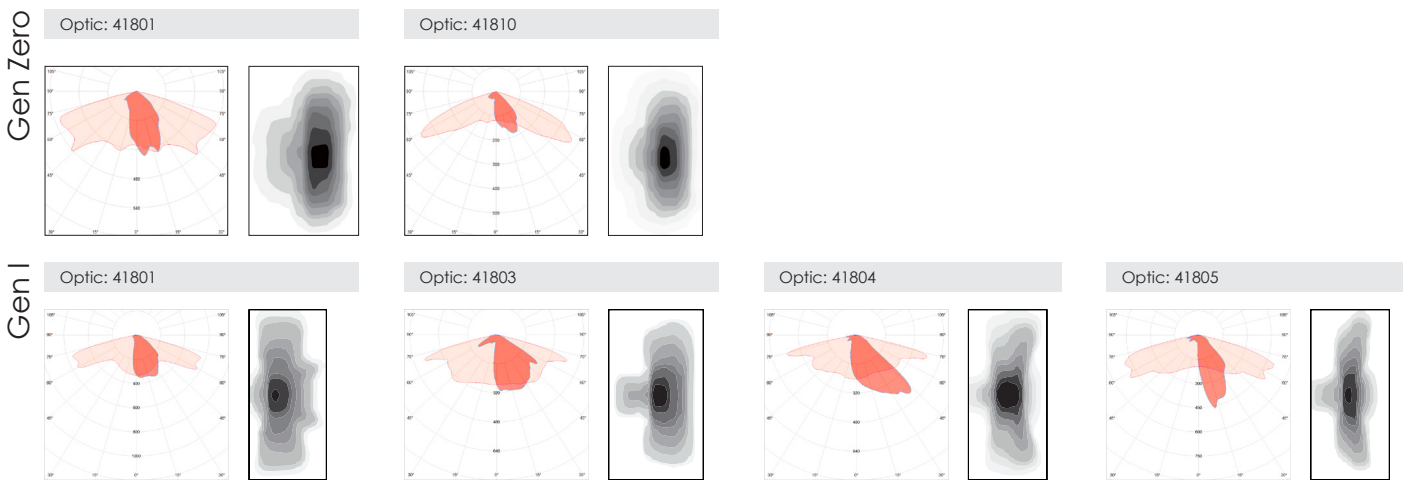
# GEN SOLAR SERIES



## Product Variations

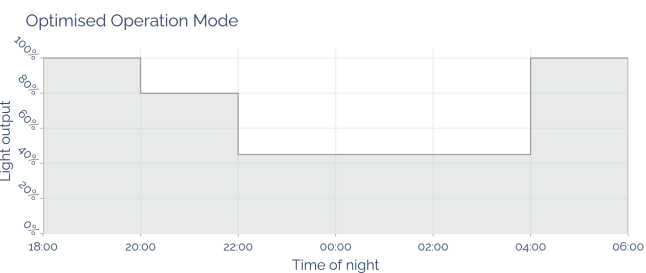
Type	Typical Power (W)	Luminous Flux (lm)		Autonomy Days on 36Ah			Autonomy Days on 66Ah		
		Nominal	Effective	Performance Mode	Optimised Mode	Endurance Mode	Performance Mode	Optimised Mode	Endurance Mode
Gen Zero	24	4285	3221	~3	~4	~5	~4	~7	>7
	31	5404	4062	>2	~3	~4	>3	>4	~6
	39	6481	4872	~2	>2	~3	>2	>3	>4
	46	7517	5651	>1	~2	>2	>2	~3	~4
	54	8511	6398	>1	~2	>2	~2	>2	>3
Gen I	62	10807	8124	n/a	>1	~2	~2	>2	~3
	69	11895	8941	n/a	>1	~2	>1	~2	>2
	77	12962	9744	n/a	>1	>1	>1	~2	>2
	85	14008	10530	n/a	n/a	>1	>1	~2	>2
	93	15033	11300	n/a	n/a	>1	>1	>1	~2
	101	16038	12056	n/a	n/a	>1	~1	>1	~2

## Optics

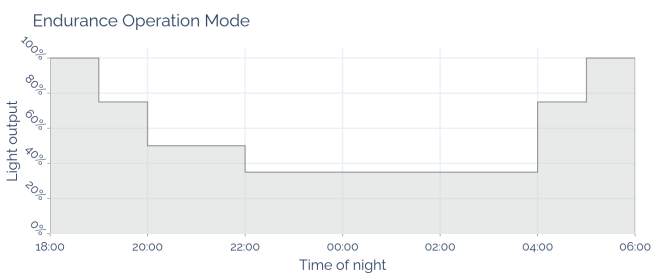


## Dimming Profiles

Optimised Mode Dimming Profile



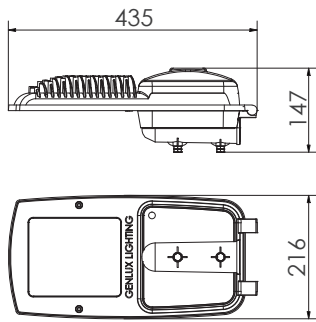
Endurance Mode Dimming Profile



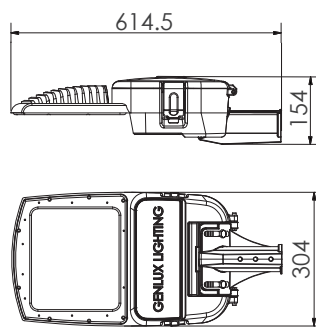
## Dimensions

### Luminaire Dimensions

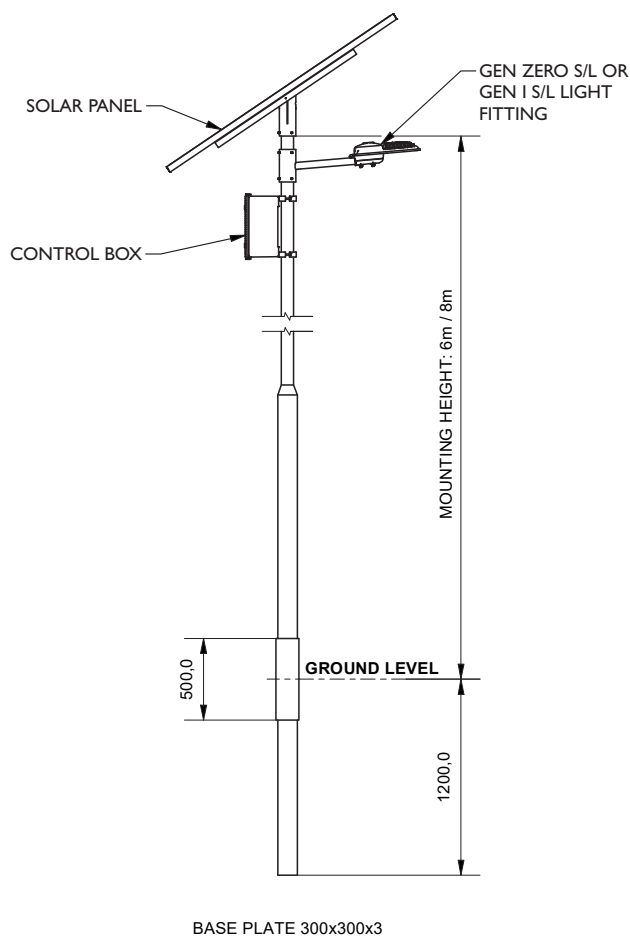
#### Gen Zero



#### Gen I



### Pole Dimensions



## Product Information

### Design

Manufacturing	Locally designed and manufactured	
Luminaire and control gear housing	High-pressure die-cast LM6 aluminum finished with polyester epoxy powder coating.	
Clips and fasteners	304 Grade stainless steel	316 Grade stainless steel *
Diffuser	4mm clear tempered glass	High impact PC *
Optics	Optical grade acrylic (PMMA) Zhaga "Book 15" compliant lenses	
Colour	Dark grey standard	Unpainted or other colours *
Mounting options	Rear / Side spigot entry tapering from 45mm to 42mm Ø Spigot mounting depth 125mm	

### Solar Power Module

Panel Type	Polycrystalline	
Rated Power	300 W	
Build Quality	Hail and corrosion resistance	
Battery type	Lithium	
Charge controller type	Integrated LED Driver, battery charger	
Mode of operation	MPPT	
System Voltage	24 V	
Battery Capacity	36 Ah	66 Ah
Charging Efficiency	90 %+	
Protection	Battery Management System, Fuse, Charging Overvoltage Protection, Load Over Current protection	

### Lighting Data

Design life	up to 100 000 hours		
Typical lumen maintenance	L90 @ >100 000 hours		
CRI	70	80 *	
Light Output Ratio (LOR)	up to 85%		
Colour Temperature	3000K *	4000K	5000K *
Operating temperature	-30°C to 45°C		
Relative humidity	Operational	5% to 95%	
	Storage	10% to 90%	

### Technical Data

Total Weight	50 kg ± 2 kg		
Windage area	1.876 m <sup>2</sup>		
Luminaire Compliance standards	SANS / IEC 60598-2-3 SANS 475		
Lifetime	Luminaire	Up to 20 year on luminaire body Up to 7 year on internal components	
	Solar	Up to 12 years	
	Battery	Up to 5 years	

### Disclaimer

Due to the rapid development in LED technology the performance values, power consumption and lumen output levels stated above are subject to change without prior notice. For any requirements not covered in the above variations please contact us for a customized solution.

### IMPORTANT NOTES

- (1) Measurement precision for flux +/- 5%, for efficacy +/- 6%, for CRI +/- 1.5
- (2) Lumen maintenance L90 = 90% of initial flux @ 1a 35°C / 100 000hrs

\*Available on request

Technical changes and printing errors reserved • Errors and Omissions Excepted

### JOHANNESBURG (Head office)

4 Branch Rd, Driehoek, Germiston, 1401  
P.O. Box 1183 Germiston  
Tel: +27 (0)11 825 3144/5  
Fax: +27 (0)86 508 5595  
genluxsales@actom.co.za

### CAPE TOWN

12 Hawkins Avenue, Epping Industria No 1, 7460  
P.O. Box 276, Eppindust, Cape 7475  
Tel: +27 (0)21 532 2000  
Fax: +27 (0)21 532 2013  
genluxCT@actom.co.za

### DURBAN

70 Solomon Mahlangu Drive, Rosburgh 4094  
P.O. Box 922, Durban 4000  
Tel: +27 (0)31 465 4170  
Fax: +27 (0)31 465 4189  
genluxKZN@actom.co.za

### PORT ELIZABETH

200 Kempston Road, Sidwell, Port Elizabeth 6001  
P.O. Box 3503, North End, Port Elizabeth 6056  
Tel: +27 (0)41 451 5641  
Fax: +27 (0)41 451 5650  
genluxPE@actom.co.za



www.genluxlighting.co.za  
011 825 3144  
genluxsales@actom.co.za

**GENLUX LIGHTING**  
a lighting technology company