



VULCAN EVO LED



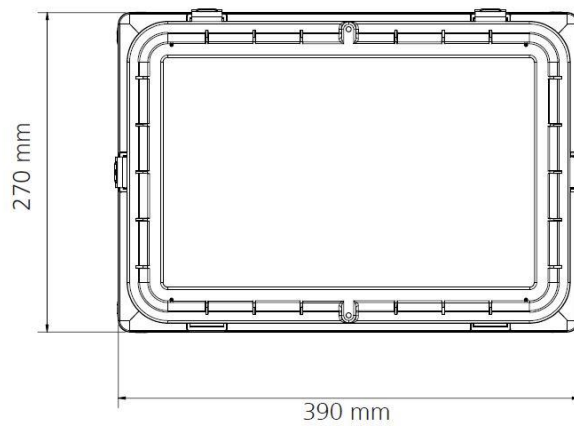
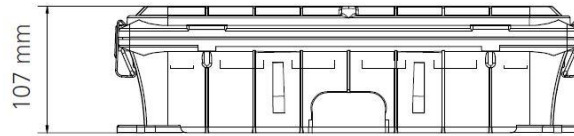
GENERAL TECHNICAL DATA & WARRANTY INFORMATION

Typical applications:	<ul style="list-style-type: none"> • Industrial application • Passage lighting • Security and perimeter lighting • Tunnel lighting application • General mining and conveyor applications
Light source:	High powered LED Modules/ light engine
Colour temperature:	<ul style="list-style-type: none"> • 3000K* • 4000K • 5000K* [*Available on request]
Operating temperature range:	-30°C to 55°C
Typical Lumen maintenance:	L70 @ 50 000 hours
IP Rating:	IP65
Luminaire housing:	High-pressure die-cast LM6 aluminum finished with a durable dark grey* polyester epoxy powder coating. [*Grey is the standard colour , unpainted or other colours available on request]
Luminaire clips and fasteners:	<ul style="list-style-type: none"> • 304 Grade* stainless steel • [*316 Grade available on request]
Diffuser:	4mm Clear tempered glass diffuser
Optics:	Optical grade acrylic (PMMA) Zhaga book 15 compliant lenses
Impact protection grade:	IK08
Mounting options:	Surface
Dimmable:	1-10V or DALI [Available on request]
Emergency option:	1hr [Available on request]
Surge protection:	20kV / 20kA
Power supply:	220V to 240V AC 50 Hz
Power factor:	0.98
Insulation classification:	Class 1
Compliance standard/s:	<ul style="list-style-type: none"> • SANS / IEC 60598-2-1 • SANS 475
Warranty:	<ul style="list-style-type: none"> • 20 year warranty on luminaire body • 5 year warranty on internal components [This warranty only covers defects or malfunctions caused during the manufacturing process or premature component failures that occur under normal operating conditions]



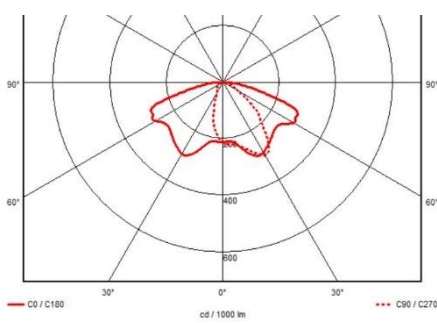
VULCAN EVO LED

DIMENSIONS

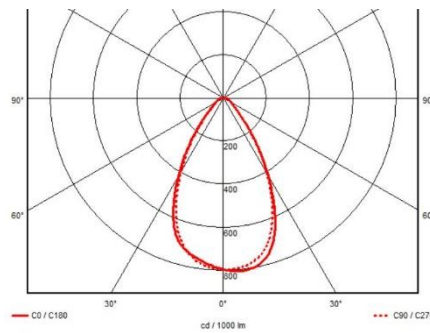


TYPICAL LIGHT DISTRIBUTION

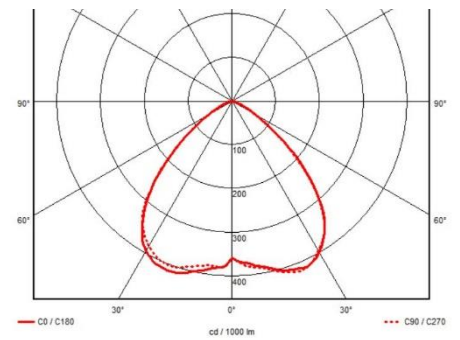
- POLAR DIAGRAM



Optic: 41800



Optic: 41808



Optic: 41818

- For best light distribution option please request a lighting design for specific application.



VULCAN EVO LED

PRODUCT VARIATIONS & ORDERING CODES

Typical Power Consumption (W)	Effective Lumen output *1 (lm)	CCT (K)	CRI *1	Lumen Maintenance *2	Efficacy (lm/W) *1	Ordering Code	Optic			
20	2500	4000	70	L80	125	26571	41800			
						26571/EMG				
						26570	41808			
						26570/EMG				
26580	41818									
25	3100				3000	70	L80	124	26576	41800
									26572	41808
									26578	41818
35	4200				3000	70	L80	120	26574	41800
									26512	41808
									26512/EMG	
26579	41818									
55	5850	3000	70	L80	106	26517	41800			
						26577	41808			
						26513	41818			
70	8400	3000	70	L80	120	26511	41800			
						26516	41808			
						26514	41818			
20	2400	3000	70	L80	120	26581	41800			
						26582	41808			
						26583	41818			
25	3000	3000	70	L80	120	26584	41800			
						26585	41808			
						26586	41818			
35	4000	3000	70	L80	114	26587	41800			
						26588	41808			
						26589	41818			
55	5500	3000	70	L80	100	26594	41800			
						26595	41808			
						26596	41818			
70	7976	3000	70	L80	114	26597	41800			
						26598	41808			
						26599	41818			

KEY's & IMPORTANT NOTES

(*1) Measurement precision for flux +/- 5%, for efficacy +/- 6%, for CRI +/- 1.5
(*2) Lumen maintenance L70 = 70% of initial flux @ ta 35°C / 60 000hrs
(*3) 80 CRI available on request



GENLUX LIGHTING

a lighting technology company

VULCAN EVO LED

- **E.&O.E.** (errors and omissions excepted)
- **Important note:**
Due to the rapid development in LED technology the performance values, power consumption and lumen output levels stated above are subject to change without prior notice.

Email: genluxsales@actom.co.za

Tel: +27 11 825-3144

Website: www.genluxlighting.co.za