



KRATOS LED FLOODLIGHT

GENLUX LIGHTING

a lighting technology company



GENERAL TECHNICAL DATA & WARRANTY INFORMATION

Typical applications:	<ul style="list-style-type: none"> • General area lighting • High mast lighting • Stadium & sport lighting
Light source:	<ul style="list-style-type: none"> • High Output SMD LED Module
Colour temperature:	<ul style="list-style-type: none"> • 3000K* • 4000K (Standard) • 5000K*
Operating temperature range:	-30°C to 45°C
Relative humidity	Operational: 5% to 95%
	Storage: 10% to 90%
Design life:	100 000 hours
Lumen maintenance:	Up to L90 @ 100 000 hours
IP Rating:	IP66
Luminaire & Control gear housing:	High-pressure, die-cast, aluminum (marine-grade or equivalent) finished with a durable dark grey polyester epoxy powder coating. [Grey is the standard colour, other colours available on request]
Luminaire clips and fasteners:	304 Grade stainless steel
Diffuser:	4mm Clear tempered glass diffuser
Optics:	Optical grade acrylic (PMMA) ZHAGA "Book 15" compliant lenses
Impact protection grade:	IK08
Mounting options:	Adjustable Stirrup mounting system suitable for mounting on high mast structures and conventional building surfaces.
Windage area:	<ul style="list-style-type: none"> • 1 Way – 0.093m² • 2 Way – 0.183m² • 3 Way – 0.325m² • 4 Way – 0.373m²
Dimmable:	1-10V or Dali*
Surge protection:	10+10kV / 10+10kA
Power supply:	Performance: 202V to 254V AC (47 to 63 Hz)
	Operation: 85V to 264V AC (45 to 66Hz)
Power factor:	0.98
Insulation classification:	Class 1
THD (Total harmonic distortion):	5%
Compliance standard/s:	<ul style="list-style-type: none"> • SANS / IEC 60598-2-5 • SANS 475

[*Available on request]



KRATOS LED FLOODLIGHT

TYPICAL CONFIGURATIONS



SI "Single" Head Piece

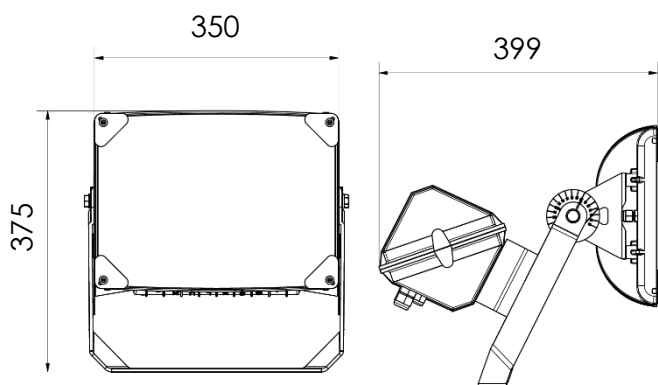
DB "Double" Head Piece

TRI "Triple" Head Piece

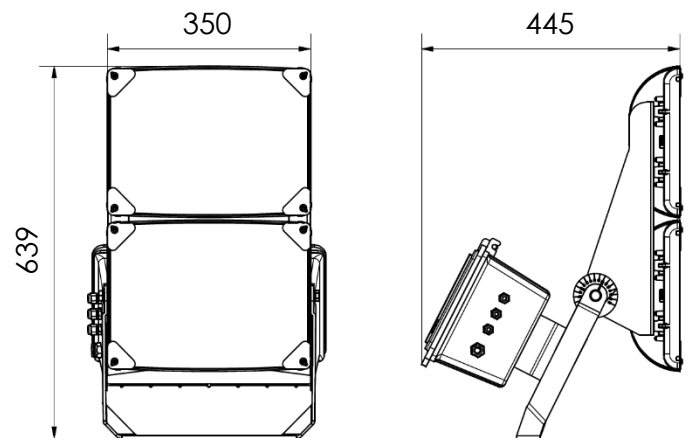
QUAD "Quad" Head Piece

TYPICAL DIMENSION

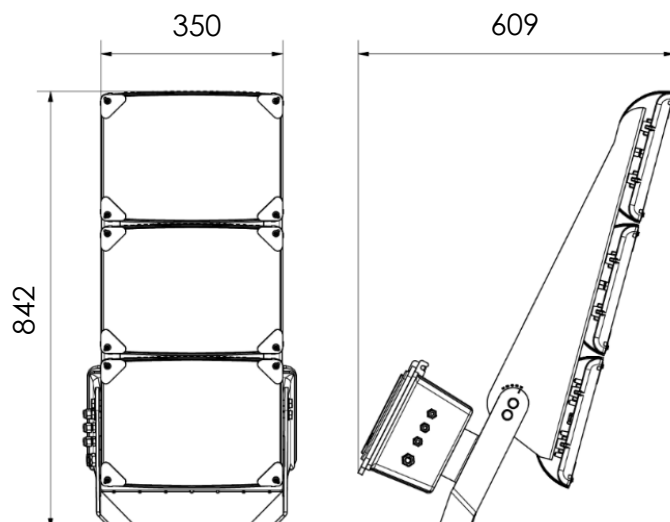
SI



DB



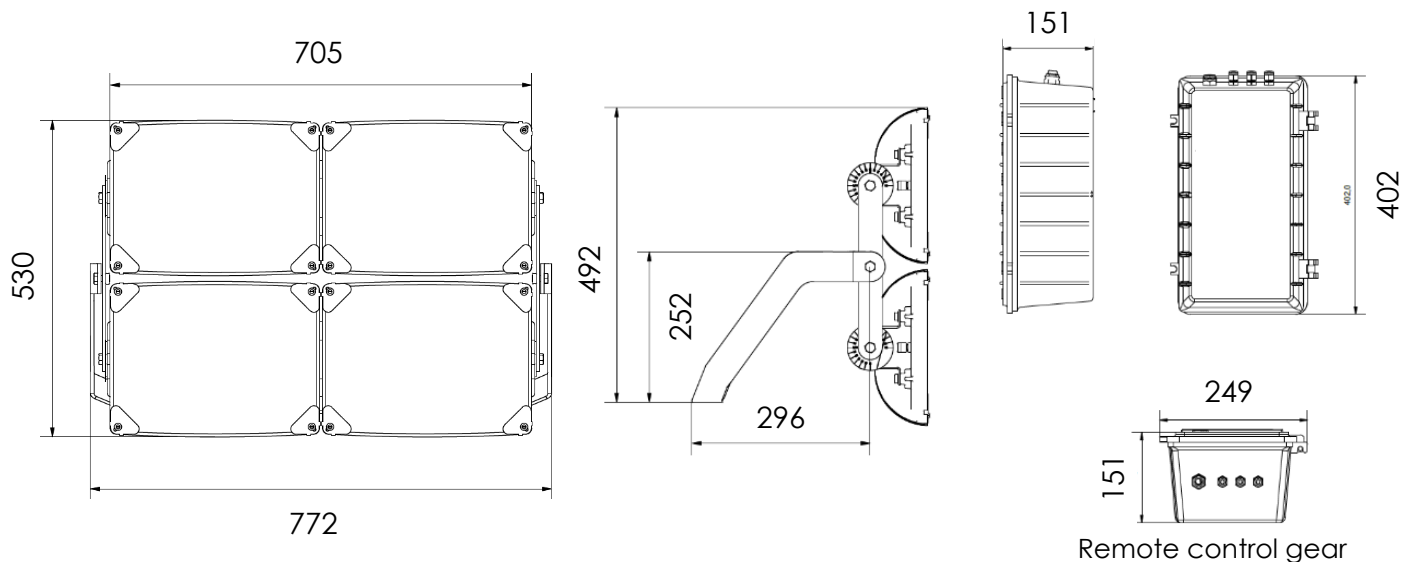
TRI



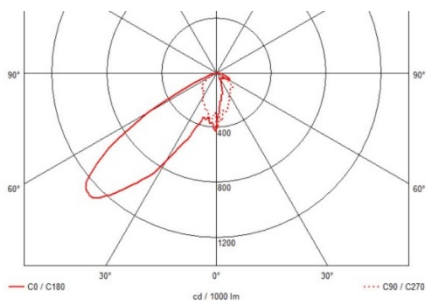


KRATOS LED FLOODLIGHT

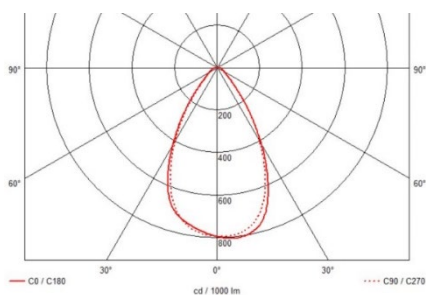
QUAD



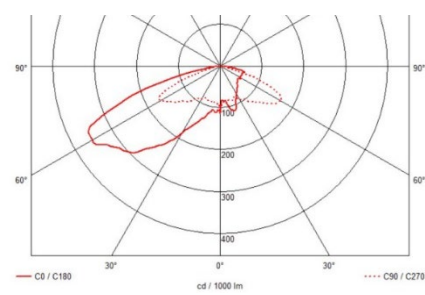
TYPICAL LIGHT DISTRIBUTION OPTION



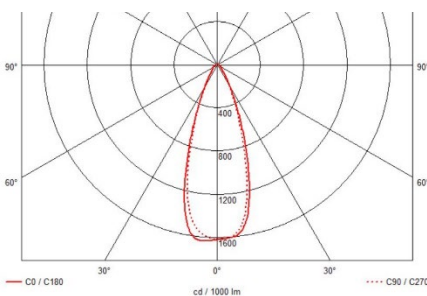
Optic 41807



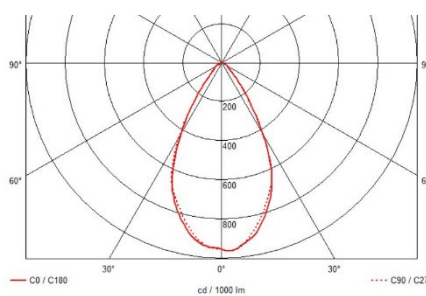
Optic 41808



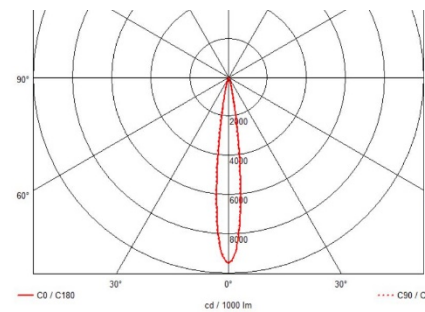
Optic 41815



Optic 41819



Optic 41820



Optic 41821

- For best light distribution option please request a lighting design for specific application.



KRATOS LED FLOODLIGHT

PRODUCT VARIATIONS

Variation	Driving Current (mA)	Nominal light output (lm) *1	Effective light output (lm) *1	Typical Power Consumption (W)	CRI *1 / *3	Lumen Maintenance *2	Weight (Kg) *4
SI 3	700	32 076	25 661	215	70	L90	14.0
SI 4	600	37 354	29 883	244			
DB 3	550	51 846	41 477	330			24.0
	700	64 151	51 321	430			
DB 4	600	74 707	59 766	488			34.0
TRI 3	700	96 227	76 982	645			
TRI 4	600	112 061	89 649	733			68.0 *5
QUAD 3	550	103 692	82 954	661			
	700	128 302	102 642	859			
QUAD 4	600	149 415	119 532	977			

KEY's & IMPORTANT NOTES

(*1) Measurement precision for flux +/- 5%, for efficacy +/- 6%, for CRI +/- 1.5

(*2) Lumen maintenance L90 = 90% of initial flux @ ta 35°C / 100 000hrs

(*3) 80 CRI available on request

(*4) Control box weight included

- **E.&O.E.** (errors and omissions excepted)
- **Important notes:**
 - Due to the rapid development in LED technology the performance values, power consumption and lumen output levels stated above are subject to change without prior notice.
 - For any requirements not covered in the above variations please contact us for a tailored solution