



# GENLUX LIGHTING

a lighting technology company



## GENERAL TECHNICAL DATA & WARRANTY INFORMATION

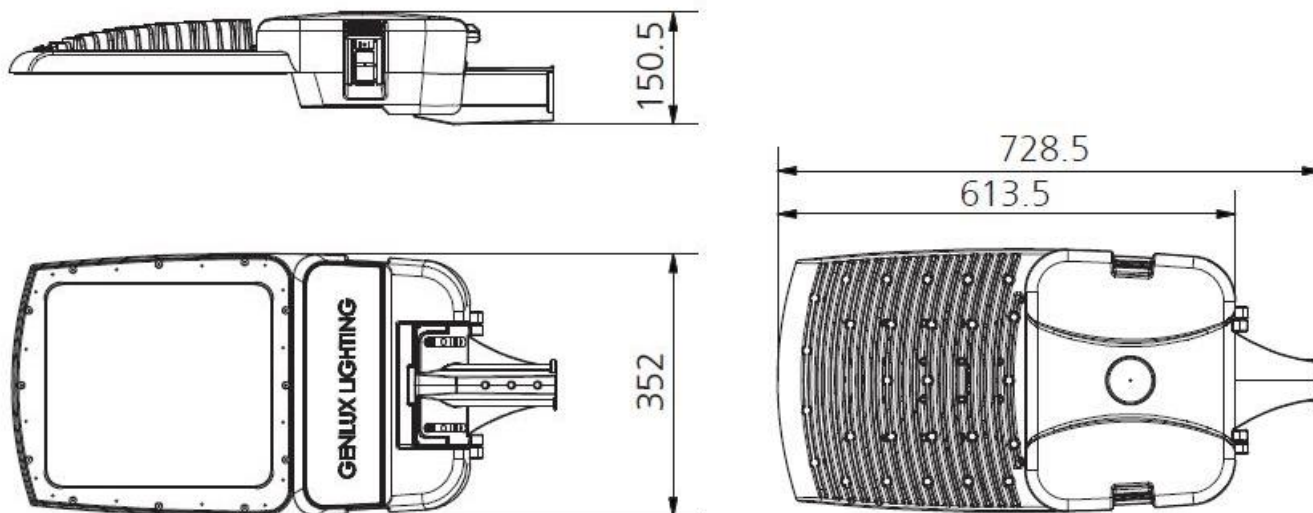
<b>Typical applications:</b>	<ul style="list-style-type: none"> <li>• Class A Roadway lighting</li> <li>• Class B Roadway lighting</li> <li>• Parking areas</li> <li>• Commercial areas</li> <li>• Residential areas</li> </ul>				
<b>Light source:</b>	High powered LED Modules				
<b>Colour temperature:</b>	<ul style="list-style-type: none"> <li>• 3000K*</li> <li>• 4000K</li> <li>• 5000K*</li> </ul> [*Available on request]				
<b>Operating temperature range:</b>	-30°C to 45°C				
<b>Relative humidity:</b>	<table border="0"> <tr> <td><b>Operational:</b></td> <td>5% to 95%</td> </tr> <tr> <td><b>Storage:</b></td> <td>10% to 90%</td> </tr> </table>	<b>Operational:</b>	5% to 95%	<b>Storage:</b>	10% to 90%
<b>Operational:</b>	5% to 95%				
<b>Storage:</b>	10% to 90%				
<b>Design life:</b>	100 000 hours				
<b>Typical Lumen maintenance:</b>	Up to L90 @ 100 000 hours				
<b>IP Rating:</b>	IP66 (Lamp and gear compartment)				
<b>Luminaire housing:</b>	High-pressure die-cast LM6 aluminum finished with a durable dark grey* polyester epoxy powder coating. [*Grey is the standard colour, unpainted or other colours available on request]				
<b>Luminaire clips and fasteners:</b>	<ul style="list-style-type: none"> <li>• 304 Grade* stainless steel</li> </ul> [*316 Grade available on request]				
<b>Diffuser:</b>	<ul style="list-style-type: none"> <li>• 4mm Clear tempered glass diffuser</li> </ul> [High impact PC diffuser available on request]				
<b>Optics:</b>	Optical grade acrylic (PMMA) Zhaga book 15 compliant lenses				
<b>Impact protection grade:</b>	IK08				
<b>Mounting options:</b>	<ul style="list-style-type: none"> <li>• Rear / Side spigot entry tapering from 45mm Ø to 42mm Ø</li> <li>• Spigot mounting depth 125mm</li> </ul>				
<b>Windage area:</b>	0.12m <sup>2</sup>				
<b>Dimmable:</b>	1-10V or DALI* [*Available on request]				
<b>Surge protection:</b>	10+10kV / 10+10kA				
<b>Power supply:</b>	220V to 240V AC 50/60 Hz				
<b>Power factor:</b>	0.98				
<b>Insulation classification:</b>	Class 1				
<b>Weight:</b>	15.2kg - 16.5 kg				
<b>Compliance standard/s:</b>	<ul style="list-style-type: none"> <li>• SANS / IEC 60598-2-3</li> <li>• SANS 475</li> </ul>				

[\*Available on request]



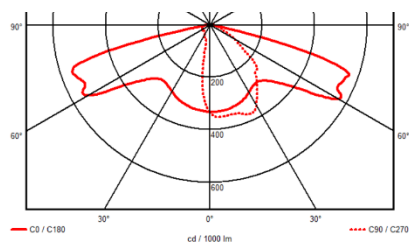
# GEN II HP LED STREETLIGHT

## DIMENSIONS

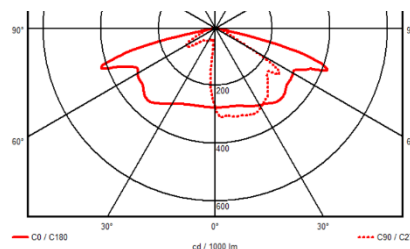


## TYPICAL LIGHT DISTRIBUTION OPTIONS

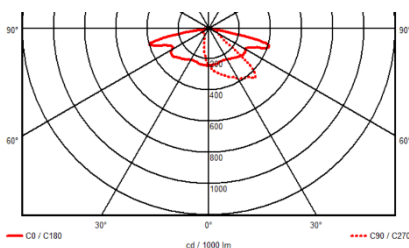
- POLAR DIAGRAMS



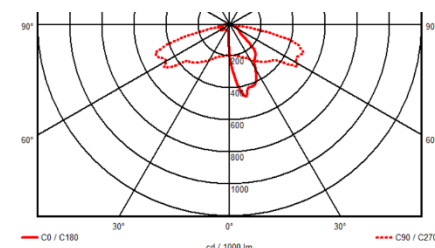
**Optic: 41801**



**Optic: 41803**



**Optic: 41804**



**Optic: 41805**

- For best light distribution option please request a lighting design for specific application.



# GEN II HP LED STREETLIGHT

## PRODUCT VARIATIONS & ORDERING CODES

Variation	Driving Current (mA)	Nominal Luminous flux * <sup>1</sup> (lm)	Effective Lumen output * <sup>1</sup> (lm)	Typical Power Consumption (W)	CRI * <sup>1</sup> / * <sup>3</sup>	Lumen Maintenance * <sup>2</sup>	Weight (Kg)
<b>GEN II HP SL 3</b>	510	23 816	19 053	155	70	L90	15.2
<b>GEN II HP SL 4</b>	460	28 980	23 184	184			15.2
	510	31 755	25 404	206			15.2
	540	33 420	26 736	220			15.2
	650	39 525	31 620	270			15.2
<b>GEN II HP SL 5</b>	355	28 941	23 153	170			16.5

### KEY's & IMPORTANT NOTES

(\*1) Measurement precision for flux +/- 5%, for efficacy +/- 6%, for CRI +/- 1.5

(\*2) Lumen maintenance L90 = 90% of initial flux @ ta 35°C / 100 000hrs

(\*3) 80 CRI available on request

- **E.&O.E.** (errors and omissions excepted)
- **Important notes:**
  - Due to the rapid development in LED technology the performance values, power consumption and lumen output levels stated above are subject to change without prior notice.
  - For any requirements not covered in the above variations please contact us for a tailored solution