



**GENLUX LIGHTING**  
a lighting technology company

A division of  
ACTOM (Pty) LTD

# ZEUS FLOODLIGHT

## INDUSTRIAL FLOOD LIGHTING

IP66



MH

### LAMP TECHNICAL DATA

- Light source: HID
- Lamp options:

Wattage (W)	Total Luminous Flux (lm)	Efficacy (lm/W)	Nett Weight (kg)
Metal Halide (MH) double ended (340V)			
2000W	230 000 lm	115 lm/W	15.5 kg*

- Lamp holder: Double ended lamp holder. Amperage options on the lamp.

### LUMINAIRE TECHNICAL DATA

- IP rating: IP66 (Lamp and gear compartment).
- Housing material: High-pressure die-cast EN44100 aluminium luminaire with primary alloy and low copper content with a high weatherproof rating, with a silver epoxy powder coating.
- Diffuser: High-temperature, high-tempered, thermal shock glass.
- Gaskets: Anti-ageing silicone rubber gaskets.
- Reflector: High intensity paraboloid (circular) rotational reflector.
- Control gear: Housed separately in a IP65 high-grade aluminium housing for a Class I insulation or a IP66 thermoplastic for a Class II insulation.
- Connection box: Self-extinguishing plastic material complete with ignitor.
- Two pressure compensation filters in Teflon.
- Mounting: Hot-dip galvanised stirrup bracket.
- Mounting height: 5m to 7m high.
- Protection degree against external impacts: IK08.
- Corrosion-resistant.
- Light output: High efficiency light output.
- Lamp mounting and replacing : The lamp is located by opening the rear cover, the cover is opened by releasing two strong stainless steel quick release clips.

- Lamp replacement is achieved by opening the cover housing at an angle of 110°. Accurate reproduction of the light distribution pattern is guaranteed by the two-point fixing of the transversely positioned lamp and by tight design tolerances of the lamp position in relation to the optical system.
- Light distribution: Varies over nine different optics. Baffle available on request for asymmetrical lighting.
- Light distribution options: R1, R2, R3, R4, R5, R6, R7, R8 or R9
  - R1 (Smooth aluminium reflector)
  - R9 (Dimpled aluminium reflector)



- Nominal temperature: 35°C.
- Power supply: 220V to 240V AC 50 Hz.
- Insulation classification: Class I and Class II.
- Windage area: 0.64562m<sup>2</sup>.

### APPLICATION

- Industrial lighting
- Stadium lighting applications
- Security and perimeter lighting
- High mast applications
- Sporting field applications

### COMPLIANCE STANDARD

- SABS test reports on request
- SANS 60598-2-5
- Lamp holder: EN60238-1: 2004 + A1: 2008 + A2: 2011

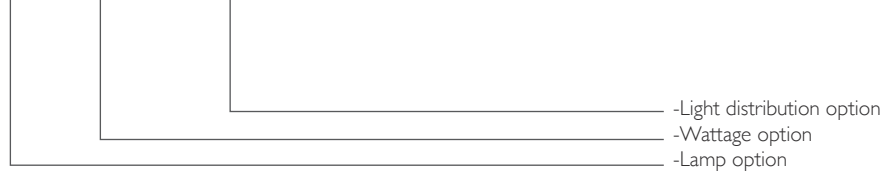
### WARRANTY

- 5 year warranty on the luminaire body
- 12 month warranty on all internal components



## ORDERING DETAILS

PRODUCT CODE: ZEUS / **MH** / **2000W** / **DISTRIBUTION**



Lamp option (W):

**MH** | 2000W

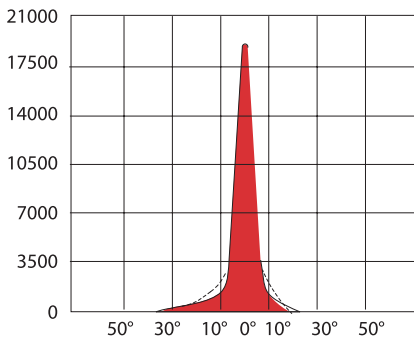
Light distribution options:

Options available | **R1** | **R2** | **R3** | **R4** | **R5** | **R6** | **R7** | **R8** | **R9**

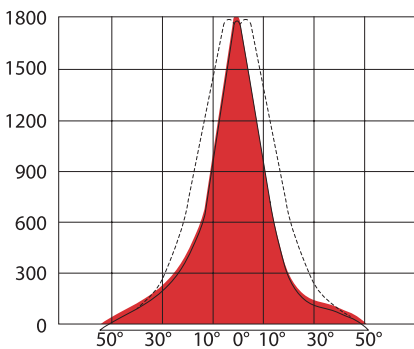
## INTENSITY DISTRIBUTION DIAGRAM

(IES Files available on request)

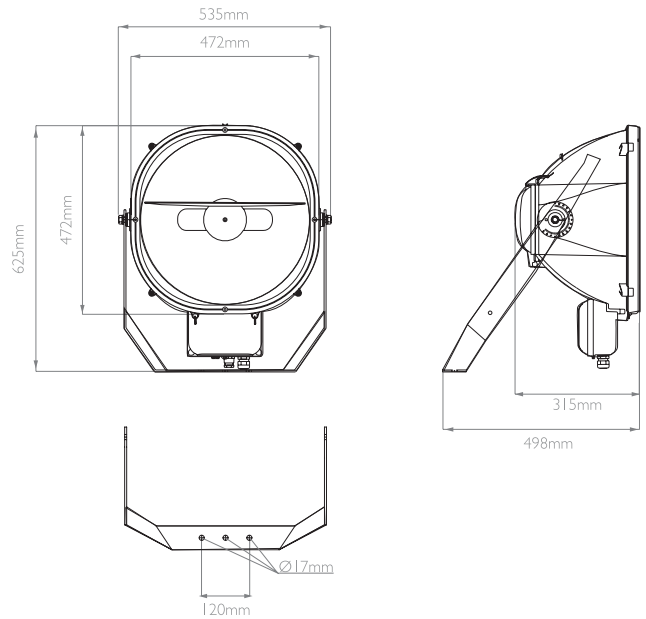
-Smooth aluminium reflector, R1 (SMOOTH)



-Dimpled aluminium reflector, R9 (DIMPLED)



## DIMENSIONS



## PRODUCT IMAGES



  
**GENLUX LIGHTING**  
a lighting technology company

A division of  
ACTOM (Pty) LTD

