



# VULCAN BULKHEAD INDUSTRIAL LIGHTING

- IP66
- 
- MH
- MV
- HPS
- CFL
- 

## LAMP TECHNICAL DATA

- Light source: HID and CFL lamps.
- Lamp options:

Wattage (W)	Total Luminous Flux (lm)	Efficacy (lm/W)	Nett Weight (kg)
<b>High Pressure Sodium (HPS)</b>			
50W	4000 lm	80 lm/W	4.5 kg
70W	6600 lm	94 lm/W	4.5 kg
100W	10 700 lm	107 lm/W	4.5 kg
150W	17 500 lm	116 lm/W	4.5 kg
<b>Metal Halide (MH)</b>			
50W	4000 lm	80 lm/W	4.5 kg
70W	7200 lm	102 lm/W	4.5 kg
100W	10 000 lm	100 lm/W	4.5 kg
150W	15 000 lm	100 lm/W	4.5 kg
<b>Mercury Vapour (MV)</b>			
80W	4000 lm	50 lm/W	4.5 kg
125W	6800 lm	54.4 lm/W	4.5 kg
<b>CFL</b>			
2 x 26W	3600 lm	69 lm/W	3 kg

- Lamp holder:
  - GES
  - ES porcelain
  - PL two pin

## LUMINAIRE TECHNICAL DATA

- IP rating: IP66.
- Housing material: The main body is manufactured from high-pressure die-cast LM6 aluminium.
- All external bolts are stainless steel. Helicoils are fitted into the aluminium body to prevent corrosion.

- Housing material colour: Raw aluminium. (RAW). Other options available on request.
- Reflector: A single piece die formed full length reflector, fitted into the luminaire.
- Wire guard options:
  - No wire guard (STD)
  - Wire guard (WG)
- Mounting: 2 external mounting brackets.
- Diffuser material: Injection moulded high-impact acrylic diffuser with internal prisms, fastened to the body via four captive stainless steel tamper-proof screws.
- Control gear: The choke, capacitor and ignitor is fastened directly to the removable gear tray via four keyholes.
- Electrical connection: A three way 15 amp connector block is provided in the gear compartment. A 20mm plug in is provided on the one side.
- Power supply: 220V to 240V AC 50 Hz.
- Insulation classification: Class I.

## APPLICATION

- Industrial application
- Passage lighting
- Security and perimeter lighting
- Tunnel lighting application
- Mining application
- Residential lighting
- Perimeter lighting

## COMPLIANCE STANDARD

- SABS test reports on request.
- SANS 60598-2-1

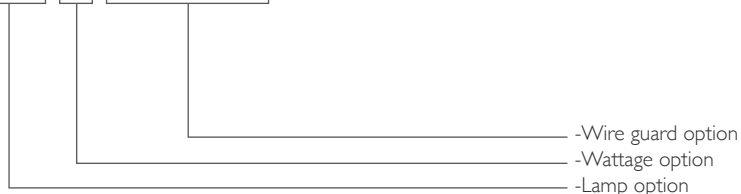
## WARRANTY

- 20 year warranty on luminaire body
- 12 month warranty on internal components



## ORDERING DETAILS

PRODUCT CODE: VULCAN / LAMP / W / WIRE GUARD



Lamp options (W):

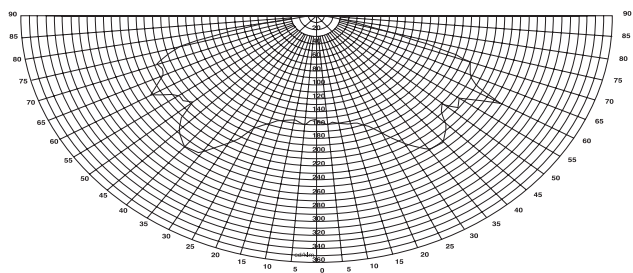
MH	50W	70W	100W	150W
MV	80W	125W		
HPS	50W	70W	100W	150W
CFL	2x26W			

Wire guard options (K):

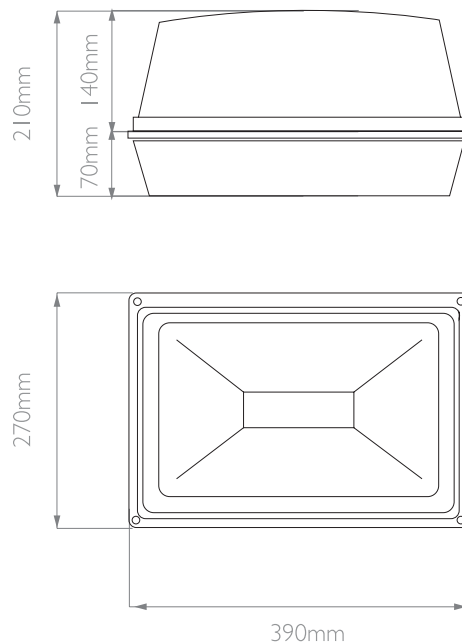
Options available	STD	WG
-------------------	-----	----

## PHOTOMETRIC DIAGRAM

(IES Files available on request)



## DIMENSIONS



## PRODUCT IMAGES



  
**GENLUX LIGHTING**  
a lighting technology company

A division of  
ACTOM (Pty) LTD



PROJECT NAME:

QUANTITY:

PRODUCT CODE:

VULCAN/

REQUESTED BY (Name, Surname, Company and Contact Details):

Name and Surname:

Company:

Email:

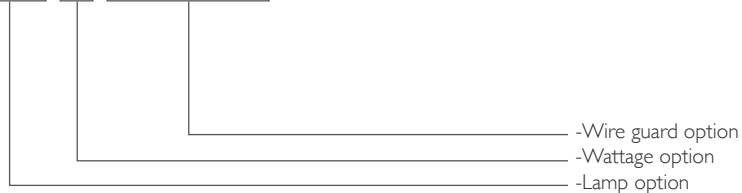
Phone Number:



## VULCAN BULKHEAD INDUSTRIAL LIGHTING

### ORDERING DETAILS

PRODUCT CODE: VULCAN / LAMP / W / WIRE GUARD



Lamp options (W):

MH	50W	70W	100W	150W
MV	80W	125W		
HPS	50W	70W	100W	150W
CFL	2x26W			

Wire guard options (K):

Options available	STD	WG
-------------------	-----	----



**GENLUX LIGHTING**

a lighting technology company

A division of  
ACTOM (Pty) LTD

