



GENLUX LIGHTING

a lighting technology company

A division of
ACTOM (Pty) LTD



TITAN LED BULKHEAD INDUSTRIAL LED LIGHTING



LED TECHNICAL DATA

- Light source: High powered LED Light Engine.
- LED options:

| Total Luminous Flux (lm) | Efficacy (lm/W) | Nett Weight (kg) | Voltage (V) |
|--------------------------|-----------------|------------------|-------------|
| Titan 9 | | | |
| 1240 lm | 137 lm/W | 2.5 kg | 12.26 V |
| Titan 12 | | | |
| 1700 lm | 141 lm/W | 2.5 kg | 22.72 V |
| Titan 17 | | | |
| 2320 lm | 136 lm/W | 2.5 kg | 24.2 V |

- Colour temperature: 4000K.
- Performance level: L70 / B20.
- Colour rendering index: >80 CRI.
- LED life cycle: 50 000 hours.

LUMINAIRE TECHNICAL DATA

- IP rating: IP66.
- Housing material: The main body is manufactured from a high-pressure die-cast LM6 aluminium, powder coated for a corrosion-resistance.
- All external bolts are stainless steel. Helicoil are standard inserts.
- Screws: Tamper-proof stainless steel screws.
- Luminaire colour options: ■ ■
 - Grey (GRY)
 - Black (BLK)
- Trim ring: Gravity die-cast LM6 aluminium trim ring powder coated in a coloured epoxy for corrosion-resistance.
- Eyelid options (Available on request):
 - No eyelid (NONE)
 - Internal eyelid (INTEYE)
- Diffuser material: 3mm high impact-resistant opal or prismatic acrylic material, fitted over a silicone gasket to prevent the ingress of moisture or dust.

- Diffuser options:
 - Opal (OPAL)
 - Prismatic (PRISMAT)
- Diffuser shape options:



- Rounded Diffuser (ROUND)
- Pyramid Diffuser (PYRAM)
- Flat Chamfered Diffuser (FLAT)

- Wire guard options:
 - No wire guard (NONE)
 - Wire guard (WG)
- Beam angle: Wide beam angle only.
- Suitable for mounting to flammable surfaces.
- Power supply: 220 to 240V AC 50/60 Hz.
- Insulation classification: Class I.
- Power factor: >0.97.
- Surge protection: 2.5kVA.
- RFI/EMI suppressed.

APPLICATION

- Industrial application
- Passage and hallway lighting
- Security and perimeter lighting
- Tunnel lighting and mining application
- Residential lighting
- Flammable surfaces
- Wall and ceiling applications

COMPLIANCE STANDARD

- SABS test reports pending

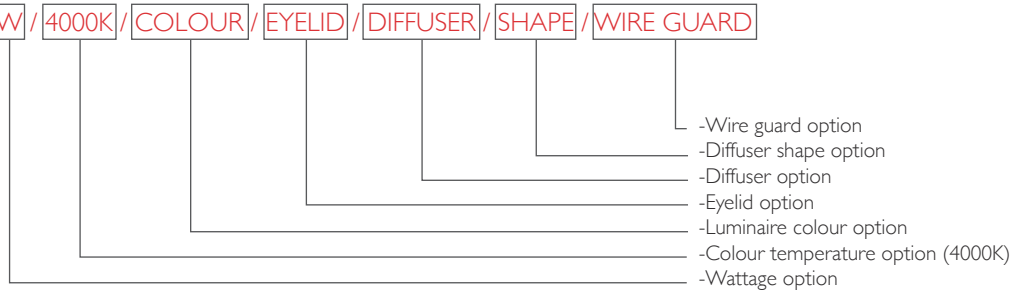
WARRANTY

- 20 year warranty on luminaire body
- 5 year warranty on internal components



ORDERING DETAILS

PRODUCT CODE: TITANLED / **W** / **4000K** / **COLOUR** / **EYELID** / **DIFFUSER** / **SHAPE** / **WIRE GUARD**



LED options (W):

Options available | Titan9 | Titan12 | Titan17

Diffuser options:

Options available | OPAL | PRISMAT

Colour temperature option (K):

Option available | 4000K

Diffuser shape options:

Options available | ROUND | PYRAM | FLAT

Luminaire colour options:

Options available | GRY | BLK

Wire guard options:

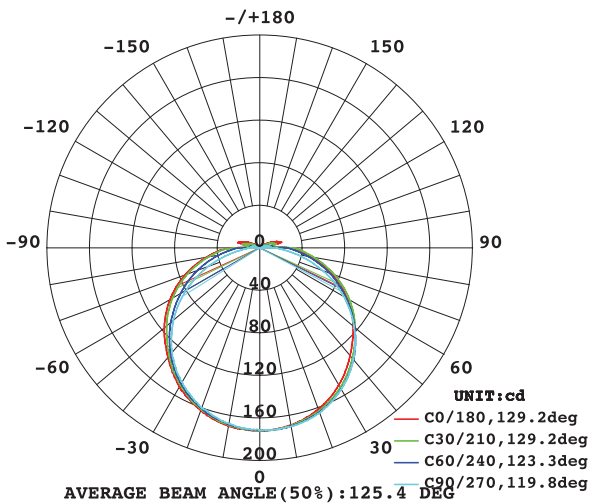
Options available | NONE | WG

Eyelid options:

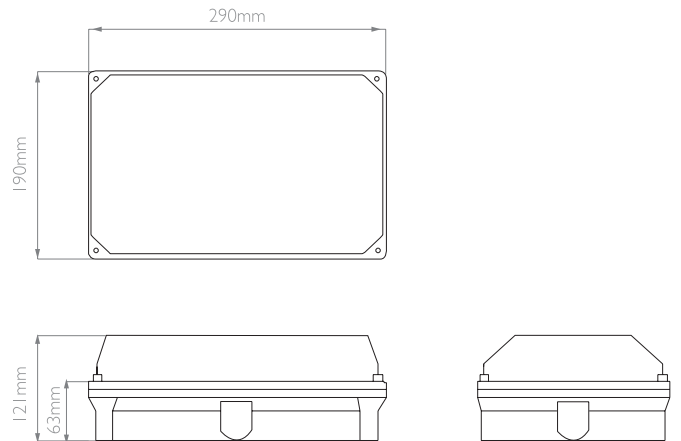
Options available | NONE | INTEYE

PHOTOMETRIC DIAGRAM

(IES Files available on request)



DIMENSIONS



PRODUCT IMAGES



GENLUX LIGHTING
a lighting technology company

A division of
ACTOM (Pty) LTD

