



OLGA LINEAR SURFACE



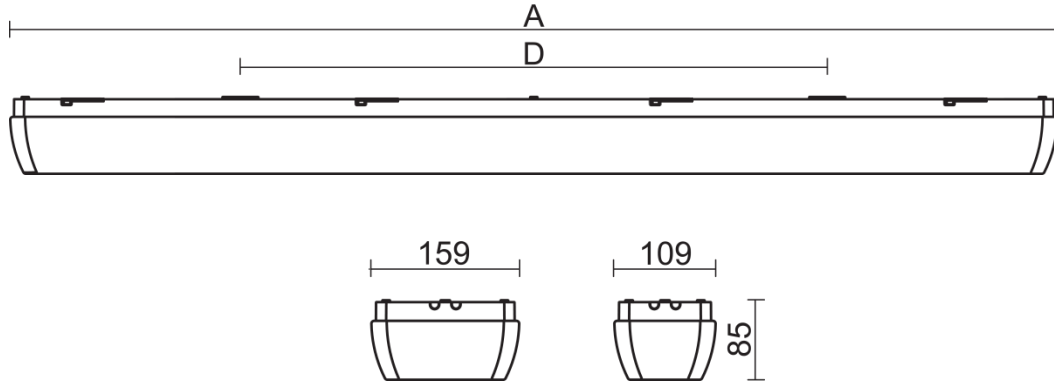
GENERAL TECHNICAL DATA & WARRANTY INFORMATION

Typical applications:	<ul style="list-style-type: none"> • Sanitary area's & Restrooms • Hallways & Corridors • Hospitals • Direct replacement for fluorescent luminaires
Light source:	Mid powered SMD LED Modules
Colour temperature:	<ul style="list-style-type: none"> • 3000K* • 4000K • 6500K* [*Available on request]
Max operating temperature:	35°C
Typical Lumen maintenance:	L90B10 @ 50 000 hours
IP Rating:	IP54
Impact protection rating:	IK10
Luminaire housing:	UV stabilized, high impact-resistant white polycarbonate (PC)
Diffuser:	UV stabilized, impact-resistant translucent polycarbonate (PC)
Mounting options:	Surface
Dimmable:	DALI [Available on request]
Motion sensor:	Microwave motion sensor [Available on request]
Emergency back-up	<ul style="list-style-type: none"> • M1h – 1hr • M3h – 3 hr [Available on request]
Power supply:	220V to 240V AC 50/60 Hz
Power factor:	0.98
Insulation classification:	Class 2
Weight:	1.9 kg to 2.5 kg
Compliance standard/s:	ENEC 60598-2-1
Warranty:	<ul style="list-style-type: none"> • 5 year warranty [This warranty only covers defects or malfunctions caused during the manufacturing process or premature component failures that occur under normal operating conditions]



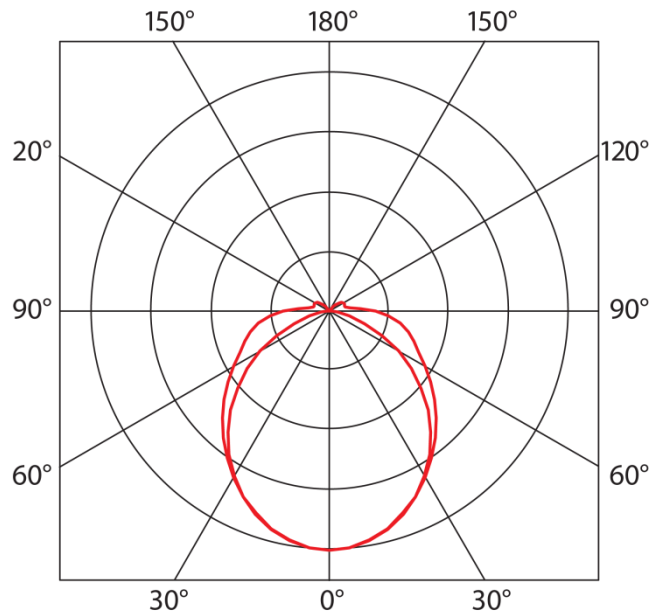
OLGA LINEAR SURFACE

DIMENSIONS



TYPICAL LIGHT DISTRIBUTION OPTIONS

- POLAR DIAGRAM/S



- For best light distribution option please request a lighting design for specific application.



OLGA LINEAR SURFACE

PRODUCT VARIATIONS & ORDERING CODES

Typical Power Consumption (W)	Effective Lumen output *1 (lm)	CCT (K)	CRI *1/*3	Lumen Maintenance *2	Efficacy (lm/W) *1	Weight (Kg)	Length (mm)		Ordering Code
							A	D	
18	2240	4000	80	L90	124	1.9	1160	650	63140
22	2720								63150
30	3720								63160
35	4330					2.5			63240
42	5210								63250
58	7280								63260

KEY'S & IMPORTANT NOTES

(*1) Measurement precision for flux +/- 5%, for efficacy +/- 6%, for CRI +/- 1.5
(*2) Lumen maintenance L90 = 90% of initial flux @ ta 35°C / 50 000hrs
(*3) 90 CRI Available on request

- **E.&O.E.** (errors and omissions excepted)
- **Important note:**
Due to the rapid development in LED technology the performance values, power consumption and lumen output levels stated above are subject to change without prior notice.