



GENLUX LIGHTING

a lighting technology company

SOLAR FLOODLIGHT



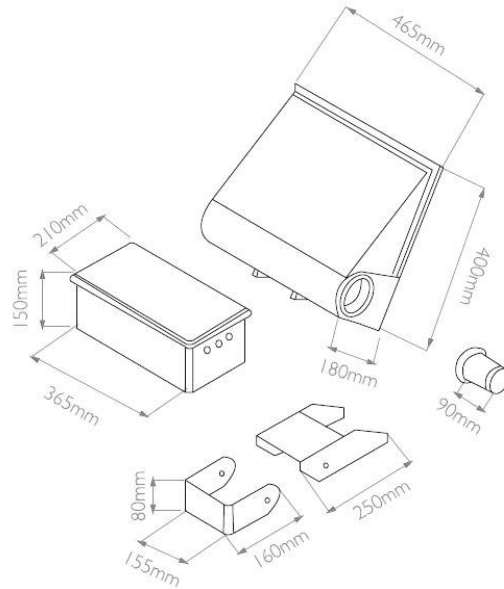
GENERAL TECHNICAL DATA & WARRANTY INFORMATION

Typical applications:	<ul style="list-style-type: none"> • Industrial lighting • Security and perimeter lighting • High mast applications • Sporting field applications • Signage boards and billboards applications • Directional lighting
Light source:	HID
Lamp options:	<ul style="list-style-type: none"> • HPS • MH
Lamp holder:	Porcelain E40 GES lamp holder
Lamp cup holder:	High-pressure die-cast LM6 aluminum
Reflector:	Chemically brightened high purity anodized aluminum. Medium and wide beam angle reflector made from a specular aluminum.
IP Rating:	IP66 (Lamp and gear compartments)
Luminaire housing:	High-pressure die-cast LM6 aluminum body, power coated in corrosion-resistant epoxy powder.
Luminaire clips and fasteners:	All external nuts, bolts, screws and corner clamps are manufactured from stainless steel. 304 Grade* stainless steel [*316 Grade available on request]
Diffuser:	5mm heat-tempered and impact-resistant glass, sealed over a silicone gasket.
Mounting and mounting options:	Galvanised stirrup bracket with an aiming protractor and a locking system suitable for mounting to wall or frame.
Windage area:	<ul style="list-style-type: none"> • Floodlight: 0.258 m² • Control box: 0.131 m²
Beam angle options:	<ul style="list-style-type: none"> • Narrow beam angle (NB) • Medium beam angle (MB) • Wide beam angle (WB)
Control gear:	The choke, capacitor and ignitor are all fastened to the removable gear tray. Control gear available in remote control for high mast lighting.
Corrosion resistance:	Suitable for coastal environments
Electrical connection:	A six way 30 amp connector block provided in the gear box, where a silicone cable is used between the gear box and lamp holder. Entry is via the 20mm nylon compression gland.
Power supply:	220V to 240V AC 50 Hz
Insulation classification:	Class 1
Weight:	24kg
Compliance standard/s:	<ul style="list-style-type: none"> • SANS 60598-2-5 • SANS 475
Warranty:	<ul style="list-style-type: none"> • 20 year warranty on luminaire body • 12 month warranty on internal components <p>[This warranty only covers defects or malfunctions caused during the manufacturing process or premature component failures that occur under normal operating conditions]</p>



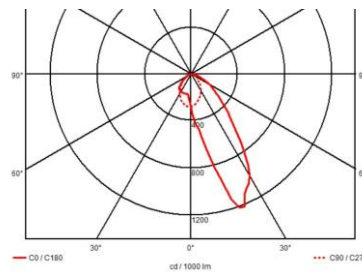
SOLAR FLOODLIGHT

DIMENSIONS

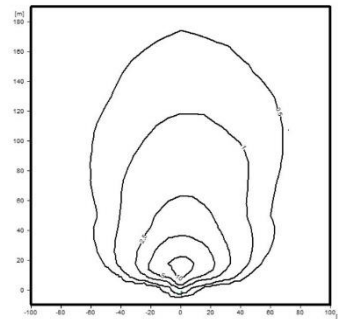


TYPICAL LIGHT DISTRIBUTION OPTIONS*

- POLAR DIAGRAMS



- ISOLUX DIAGRAMS



- *Other light distribution options available on request.
- For best light distribution option please request a lighting design for specific application.



SOLAR FLOODLIGHT

PRODUCT VARIATIONS & ORDERING CODES

Typical Power Consumption (W)	Effective Lumen output *1 (lm)	Efficacy (lm/W)	Weight (Kg)	Ordering Code		
				Narrow	Medium	Wide
High Pressure Sodium (HPS)						
1000	130 000	103	24	22073P	22073-MBP	22073-WBP
Metal Halide (MH)						
1000	110 000	110	24	22074P	22074-MBP	2274-WBP

KEY's & IMPORTANT NOTES

(*1) The above lumen outputs are based on the typical performance characteristics of commercially available HID lamps

- **E.&O.E.** (errors and omissions excepted)
- **Important note:**
Power consumption and lumen output levels stated above are subject to change without prior notice.