



ODYSSEY HID FLOODLIGHT



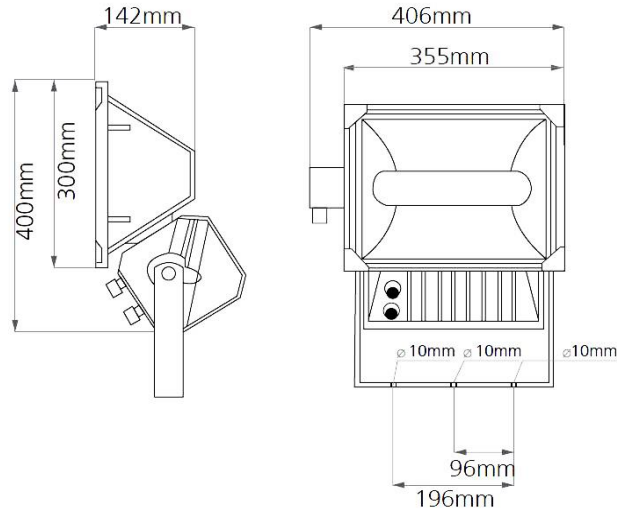
GENERAL TECHNICAL DATA & WARRANTY INFORMATION

Typical applications:	<ul style="list-style-type: none"> • Industrial lighting • Security and perimeter lighting • High mast applications • Sporting field applications • Facade and decorative lighting applications
Light source:	HID
Lamp options:	<ul style="list-style-type: none"> • HPS • MH
Lamp holder:	Porcelain GES/E40, E27 lamp holder
Lamp cup holder:	High-pressure die-cast LM6 aluminum
Reflector:	Chemically brightened high purity anodized aluminum. Medium beam angle reflector made from a dimpled aluminum. Narrow beam angle reflector made from specular aluminum.
IP Rating:	IP66
Luminaire housing:	High-pressure die-cast LM6 aluminum body, power coated in corrosion-resistant epoxy powder.
Luminaire clips and fasteners:	All nuts, bolts, screws and corner clamps are manufactured from stainless steel. 304 Grade* stainless steel [*316 Grade available on request]
Diffuser:	5mm heat-tempered and impact-resistant glass, sealed over a silicone gasket.
Mounting and mounting options:	Galvanized stirrup bracket with an aiming protractor and a locking system suitable for mounting to wall, frame or pole. <ul style="list-style-type: none"> • Standard stirrup bracket for wall or frame mounting • Pole mounting bracket on request
Windage area:	0.245 m ²
Beam angle options:	<ul style="list-style-type: none"> • Narrow beam angle (NB) • Medium beam angle (MB) • Wide beam angle (WB)
Control gear:	The choke, capacitor and ignitor are all fitted to a removable gear tray [Control gear available in remote control for high mast lighting.]
Corrosion resistance:	Suitable for coastal environments
Electrical connection:	A three way 5 amp connector block provided in the gear box
Power supply:	220V to 240V AC 50/60 Hz
Insulation classification:	Class 1
Weight:	9.58kg – 12.82kg
Compliance standard/s:	<ul style="list-style-type: none"> • SANS 60598-2-5 • SANS 475
Warranty:	<ul style="list-style-type: none"> • 20 year warranty on luminaire body • 12 month warranty on internal components [This warranty only covers defects or malfunctions caused during the manufacturing process or premature component failures that occur under normal operating conditions]



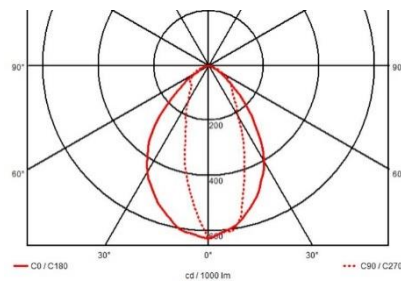
ODYSSEY HID FLOODLIGHT

DIMENSIONS

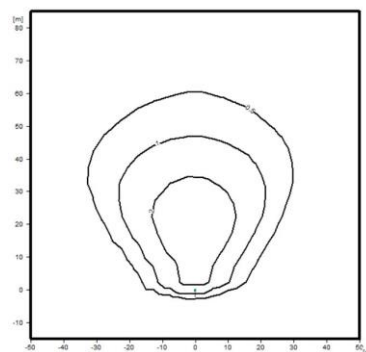


TYPICAL LIGHT DISTRIBUTION OPTIONS*

- POLAR DIAGRAMS



- ISOLUX DIAGRAMS



WB Reflector

- *Other light distribution options available on request.
- For best light distribution option please request a lighting design for specific application.



ODYSSEY HID FLOODLIGHT

PRODUCT VARIATIONS & ORDERING CODES

Typical Power Consumption (W)	Effective Lumen output *1 (lm)	Efficacy (lm/W)	Weight (Kg)	Ordering Code		
				Narrow	Medium	Wide
High Pressure Sodium (HPS)						
150	9 280	61	9.58	-	22008P	22003P
250	17 280	69	10.70	-	22005MBP	22005P
400	30 720	76	12.82	22025P	22024MBP	22024P
High Pressure Sodium (HPS) High Output, Long Life Lamp						
150	11 200	74	9.58	As above		
250	21 248	85	10.70			
400	36 160	90	12.82			
Metal Halide (MH)						
150	7 296	48	9.58	-	-	22103
250	12 800	51	10.70	22022P	22021MBP	22021P
400	20 480	51	12.82	22026P	-	22023P
Metal Halide (MH) High Output, Long Life Lamp						
150	11 072	73	9.58	As above		
250	20 480	82	10.70			

KEY'S & IMPORTANT NOTES

(*1) The above lumen outputs are based on the typical performance characteristics of commercially available HID lamps

- **E.&O.E.** (errors and omissions excepted)
- **Important note:**
Power consumption and lumen output levels stated above are subject to change without prior notice.