



NEPTUNE LED POST TOP



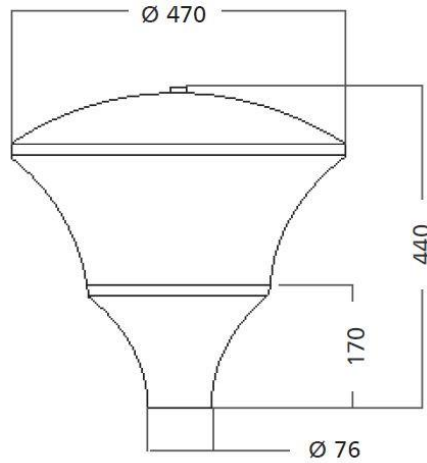
GENERAL TECHNICAL DATA & WARRANTY INFORMATION

Typical applications:	<ul style="list-style-type: none"> • Commercial applications • Residential applications • Garden and park applications • Street and parking area lighting applications
Light source:	Mid powered LED Modules
Colour temperature:	<ul style="list-style-type: none"> • 3000K* • 4000K • 5000K* [*Available on request]
Operating temperature range:	-30°C to 55°C
Typical lumen maintenance:	L80 @ 60 000 hours
IP Rating:	IP65 (Lamp and gear compartment)
Luminaire housing:	<ul style="list-style-type: none"> • CNC spun and formed corrosive resistant aluminum lid finished with a durable dark grey* polyester epoxy powder coating. • High-pressure die-cast LM6 aluminum base finished with a durable dark grey* polyester epoxy powder coating. [*Grey is the standard colour , unpainted or other colours available on request]
Luminaire clips and fasteners:	<ul style="list-style-type: none"> • 304 Grade* stainless steel • [*316 Grade available on request]
Diffuser:	High Impact Opal acrylic
Mounting options:	Bottom entry 76mm Ø
Surge protection:	10kV / 10kA
Power supply:	220V to 240V AC 50/60 Hz
Power factor:	0.98
Insulation classification:	Class 1
Weight:	4.80 kg
Compliance standard/s:	SANS / IEC 60598-2-3
Warranty:	<ul style="list-style-type: none"> • 20 year warranty on luminaire body • 5 year warranty on internal components* [*This warrantee only covers defects or malfunctions caused during the manufacturing process or premature component failures that occur under normal operating conditions]



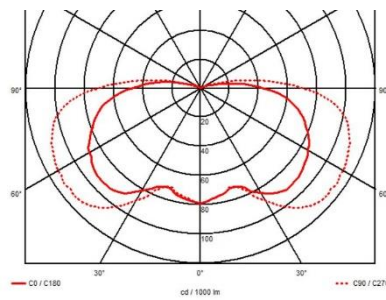
NEPTUNE LED POST TOP

DIMENSIONS

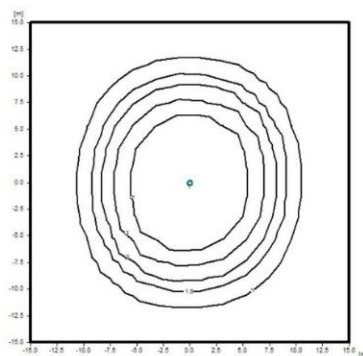


TYPICAL LIGHT DISTRIBUTION OPTIONS*

- POLAR DIAGRAMS



- ISOLUX DIAGRAMS



- *Other light distribution options available on request.
- For best light distribution option please request a lighting design for specific application.



NEPTUNE LED POST TOP

PRODUCT VARIATIONS & ORDERING CODES

Driving Current (mA)	No. of LED's	Typical Power Consumption (W)	Effective Lumen output *1 (lm)	CCT (K)	CRI *1	Lumen Maintenance *2	Efficacy (lm/W)	Weight (Kg)	Ordering Code
700	24	17	2080	4000	80	L80	122	4.8	21120
	48	35	4160				118		21121
500	96	50	6048				120		21122

KEY's & IMPORTANT NOTES

(*1) Measurement precision for flux +/- 5%, for efficacy +/- 6%, for CRI +/- 1.5

(*2) Lumen maintenance L80 = 80% of initial flux @ ta 35°C / 60 000hrs

- **E.&O.E.** (errors and omissions excepted)
- **Important note:**
Due to the rapid development in LED technology the performance values, power consumption and lumen output levels stated above are subject to change without prior notice.