



# CLASSIC POST TOP OUTDOOR LIGHTING

IP66



HPS

MV

MH

CFL

## LAMP TECHNICAL DATA

- Light source: HID and CFL.
- Lamp options:

Wattage (W)	Total Luminous Flux (lm)	Efficacy (lm/W)	Nett Weight (kg)
High Pressure Sodium (HPS)			
70W	6600 lm	94 lm/W	5.2 kg
100W	10 700 lm	107 lm/W	5.2 kg
Metal Halide (MH)			
70W	8000 lm	114 lm/W	5.2 kg
100W	12 000 lm	120 lm/W	5.2 kg
Mercury Vapour (MV)			
125W	6800 lm	54 lm/W	4.9 kg
CFL			
1 x 18W	1200 lm	66 lm/W	5.2 kg
1 x 26W	1800 lm	69 lm/W	5.2 kg
1 x 57W	4800 lm	84 lm/W	5.2 kg
2 x 18W	2400 lm	66 lm/W	5.2 kg
2 x 26W	3600 lm	69 lm/W	5.2 kg

- Lamp Holder (As per lamp type):
  - ES porcelain
  - GES porcelain
  - PL two or four pin lamp holder

## LUMINAIRE TECHNICAL DATA

- IP rating: IP66.
- Spigot material: High-pressure die-cast LM6 aluminium finished with durable corrosion and weather-resistant epoxy powder coating.
- Stainless steel spigot screws for all weather conditions.
- Lid: Luminaire cover made from a UV-stabilised glass-fiber reinforced polyester.

- Securing knob: The securing knob is manufactured from a gravity die-cast LM6 aluminium.
- Diffuser: Injection-moulded high-impact acrylic with internal facets.
- Luminaire colour options:
 

■	■	■	□	■
-Light grey (LGRY)				-Dark grey (DGRY)
-Green (GREEN)				-Black (BLK)
				-White (WHT)
- Light distribution options:
  - Symmetrical light distribution
  - Asymmetrical light distribution
- Gasket: Two gaskets of silicone material are fitted between the diffuser and the luminaire cover and another between the spigot and the diffuser.
- Mounting spigot size: Ø76mm.
- Mounting: Spigot secured to the pole by means of three stainless steel grub screws with a mounting height of 3m to 5m high.
- Control gear: Integrally mounted in the spigot for aesthetic purposes.
- Electrical connection: A two way 15 amp connector block provided in the control gear compartment, with the earth screw adjacent to the spigot entry.
- Power factor: >0.85
- Power supply: 220V to 240V AC 50 Hz.
- Insulation classification: Class I.

## APPLICATION

- Residential and commercial areas
- Parks and garden lighting
- City centers and car parks

## COMPLIANCE STANDARD

- SABS test reports on request
- SANS 60598-2-3
- Lamp holder: EN60238-1: 2004 + A1: 2008 + A2: 2011

## WARRANTY

- 20 year warranty on the luminaire body
- 12 month warranty on internal components



## ORDERING DETAILS

PRODUCT CODE: CLASSIC / LAMP / W / DISTRIBUTION / DIFFUSER / COLOUR



Lamp options (W):

HPS	70W	100W			
MH	70W	100W			
MV	125W				
CFL	1x18W	2x18W	1x26W	2x26W	1x57W

Light distribution options:

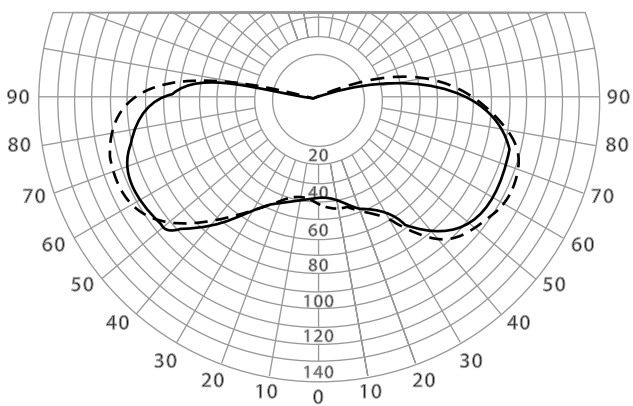
Option available	SYMM	ASYMM
------------------	------	-------

Luminaire colour options:

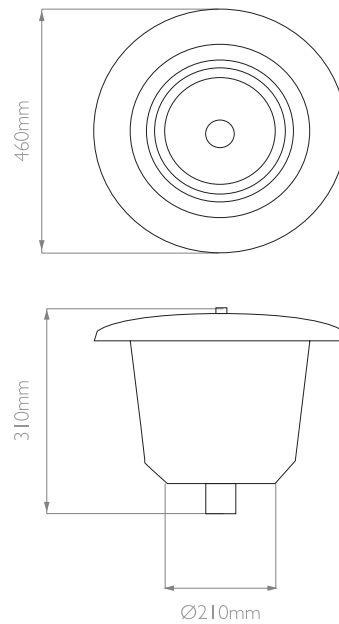
Options available	LGRY	DGRY	GREEN	BLK	WHT
-------------------	------	------	-------	-----	-----

## PHOTOMETRIC DIAGRAM

(IES Files available on request)



## DIMENSIONS



## PRODUCT IMAGES



  
**GENLUX LIGHTING**  
 a lighting technology company

A division of  
 ACTOM (Pty) LTD



PROJECT NAME:

QUANTITY:

PRODUCT CODE:

CLASSIC/

REQUESTED BY (Name, Surname, Company and Contact Details):

Name and Surname:

Company:

Email:

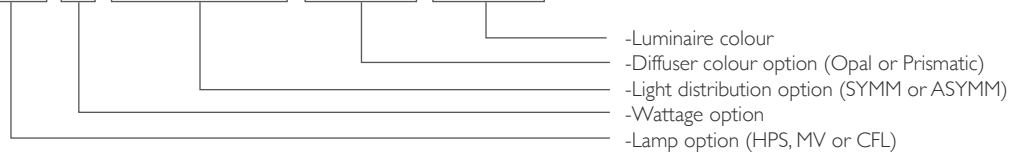
Phone Number:



## CLASSIC POST TOP OUTDOOR LIGHTING

### ORDERING DETAILS

PRODUCT CODE: CLASSIC / LAMP / W / DISTRIBUTION / DIFFUSER / COLOUR



Lamp options (W):

HPS	70W	100W			
MH	70W	100W			
MV	125W				
CFL	1x18W	2x18W	1x26W	2x26W	1x57W

Light distribution options:

Option available	SYMM	ASYMM
------------------	------	-------

Luminaire colour options:

Options available	LGRY	DGRY	GREEN	BLK	WHT
-------------------	------	------	-------	-----	-----



GENLUX LIGHTING

a lighting technology company

A division of  
ACTOM (Pty) LTD

Email: [genluxsales@actom.co.za](mailto:genluxsales@actom.co.za)

Tel: (011) 825-3144

Website: [www.genluxlighting.co.za](http://www.genluxlighting.co.za)

