



## APOLLO STREETLIGHT HID



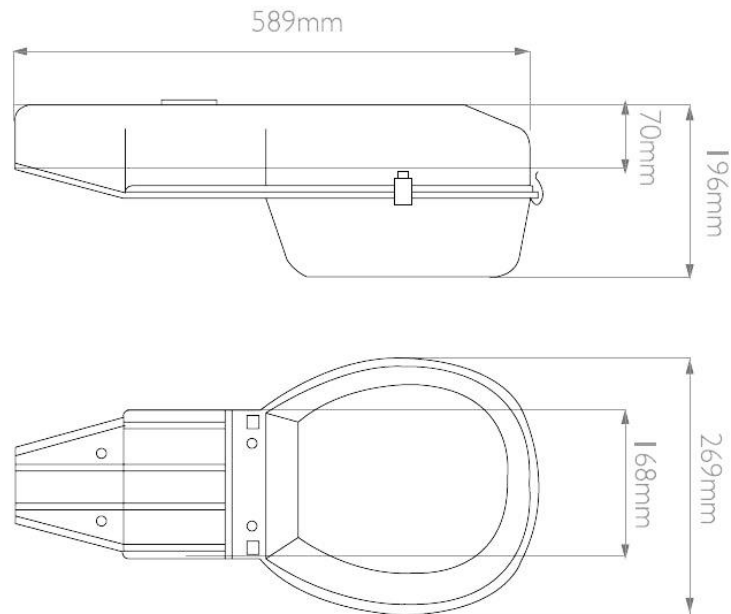
### GENERAL TECHNICAL DATA & WARRANTY INFORMATION

<b>Typical applications:</b>	<ul style="list-style-type: none"> <li>• Class B Roadway lighting</li> <li>• Parking areas</li> <li>• Perimeter lighting, security and development lighting</li> <li>• Residential and commercial areas</li> </ul>
<b>Light source:</b>	HID and CFL lamps
<b>Lamp options:</b>	<ul style="list-style-type: none"> <li>• E40 GES porcelain</li> <li>• E27 ES porcelain</li> <li>• PL</li> </ul>
<b>Reflector:</b>	99.9% Specular high purity anodised aluminium chemically brightened, for maximum efficiency.
<b>IP Rating:</b>	IP66 (Lamp and gear compartment)
<b>Luminaire housing:</b>	The main body, gear compartment lid and bulkhead are manufactured from high-pressure injection moulded UV-stabilised high-impact polypropylene.
<b>Luminaire clips and fasteners:</b>	<ul style="list-style-type: none"> <li>• The three clips, on the diffuser are manufactured from 304 Grade stainless steel, all internal nuts and bolts are cadmium plated.</li> <li>• Provision is made for NEMA Base and/or MCB.</li> </ul>
<b>Diffuser:</b>	The diffuser is manufactured from injection moulded U.V. stabilised, high impact clear acrylic.
<b>Mounting and mounting options:</b>	<ul style="list-style-type: none"> <li>• Rear spigot entry 42mm Ø</li> <li>• Bottom entry possible with pole to adaptor</li> </ul>
<b>Windage area:</b>	0.114m <sup>2</sup>
<b>Day – Night Switching:</b>	<ul style="list-style-type: none"> <li>• NEMA PCU</li> <li>• Royce Thompson Micro PCU</li> </ul>
<b>Internal circuit breaker:</b>	The circuit breaker comes with a neoprene transparent circuit breaker boot, IP66 rated* [*Available on request]
<b>Spigot entry and size:</b>	The spigot entry clamps are manufactured from galvanized mild steel, with an adjustable spigot. Size options include 32mm Ø or 42mm Ø
<b>Gear tray:</b>	The gear tray is manufactured from galvanised mild steel and is fitted to the main body by two screws in key slots to allow easy removal and replacement
<b>Gasket:</b>	The gasket is of silicone sponge, fitted in a groove on the main body to prevent the ingress of water, dust or insects
<b>Control gear:</b>	The choke, capacitor and ignitor are fastened directly to a removable gear tray fastened to the main body, all control gear is ISO approved
<b>Electrical connection:</b>	three way 15 amp connector block is provided
<b>Power supply:</b>	220V to 240V AC 50 Hz
<b>Power factor:</b>	0.98
<b>Insulation classification:</b>	Class 1
<b>Weight:</b>	9.3 kg – 11 kg
<b>Compliance standard/s:</b>	<ul style="list-style-type: none"> <li>• SANS 60598-2-3</li> <li>• SANS 475</li> </ul>
<b>Warranty:</b>	<ul style="list-style-type: none"> <li>• 5 year warranty on luminaire body</li> <li>• 12 month warranty on internal components</li> </ul> <p>[This warranty only covers defects or malfunctions caused during the manufacturing process or premature component failures that occur under normal operating conditions]</p>



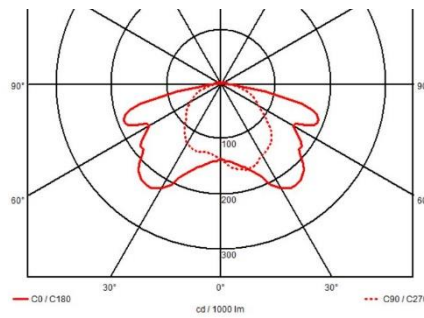
# APOLLO STREETLIGHT HID

## DIMENSIONS

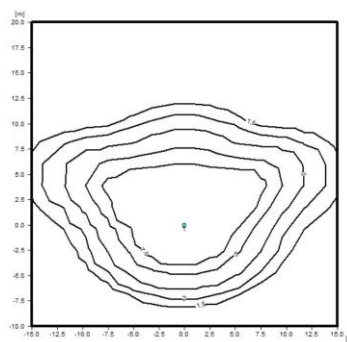


## TYPICAL LIGHT DISTRIBUTION OPTIONS\*

- POLAR DIAGRAMS



- ISOLUX DIAGRAMS



## 100W HPS

- \*Other light distribution options available on request.
- For best light distribution option please request a lighting design for specific application.



# APOLLO STREETLIGHT HID

## PRODUCT VARIATIONS & ORDERING CODES

Typical Power Consumption (W)	Effective Lumen output *1 (lm)	Efficacy (lm/W)	Weight (Kg)	Ordering Code
<b>High Pressure Sodium (HPS)</b>				
70	6 300	90	9.3	23710P - no internal ignitor
				23760P - c/w internal ignitor
100	10 400	104	10.7	23730P
150	17 000	133	11	23750P
<b>Metal Halide (MH)</b>				
70	7 200	102	9.3	23710/MP
100	10 600	106	10.7	23730/MHP
<b>Mercury Vapour (MV)</b>				
80	3 800	47.5	9.3	23720P
125	6 300	50	11	23740P
<b>CFL (PL)</b>				
2 x 26	3 600	69	11	23780P
1 x 57	4 800	82	11	23790P

### KEY'S & IMPORTANT NOTES

(\*1) The above lumen outputs are based on the typical performance characteristics of commercially available HID lamps

- **E.&O.E.** (errors and omissions excepted)
- **Important note:**  
Due to the rapid development in LED technology the performance values, power consumption and lumen output levels stated above are subject to change without prior notice.