



# GENLUX LIGHTING

a lighting technology company



## GENERAL TECHNICAL DATA & WARRANTY INFORMATION

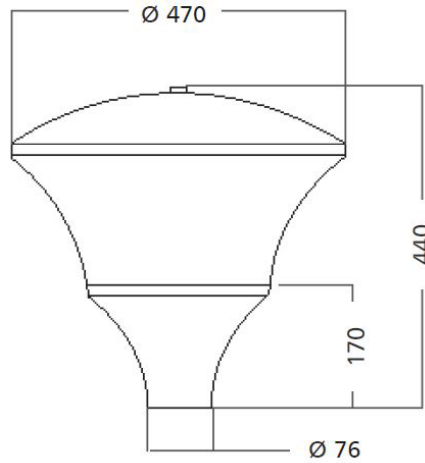
<b>Typical applications:</b>	<ul style="list-style-type: none"> <li>• Commercial applications</li> <li>• Residential applications</li> <li>• Garden and park applications</li> <li>• Street and parking area lighting applications</li> </ul>
<b>Light source:</b>	Mid powered LED Modules
<b>Colour temperature:</b>	<ul style="list-style-type: none"> <li>• 3000K*</li> <li>• 4000K</li> <li>• 5000K*</li> </ul> [*Available on request]
<b>Operating temperature range:</b>	-30°C to 45°C
<b>Typical lumen maintenance:</b>	L80 @ 60 000 hours
<b>IP Rating:</b>	IP65 (Lamp and gear compartment)
<b>Luminaire housing:</b>	<ul style="list-style-type: none"> <li>• CNC spun and formed corrosive resistant aluminium lid finished with a durable dark grey* polyester epoxy powder coating.</li> <li>• High-pressure die-cast LM6 aluminium base finished with a durable dark grey* polyester epoxy powder coating.</li> </ul> [*Grey is the standard colour, unpainted or other colours available on request]
<b>Luminaire clips and fasteners:</b>	<ul style="list-style-type: none"> <li>• 304 Grade* stainless steel</li> <li>• [*316 Grade available on request]</li> </ul>
<b>Diffuser:</b>	<ul style="list-style-type: none"> <li>• High-impact opal or clear acrylic.</li> <li>• Vandal-proof poly-carbonate*.</li> </ul>
<b>Mounting options:</b>	Bottom entry 76mm Ø
<b>Surge protection:</b>	10kV / 10kA
<b>Power supply:</b>	220V to 240V AC 50/60 Hz
<b>Power factor:</b>	0.98
<b>Insulation classification:</b>	Class 1
<b>Weight:</b>	4.80 kg
<b>Compliance standard/s:</b>	SANS / IEC 60598-2-3

[\*Available on request]



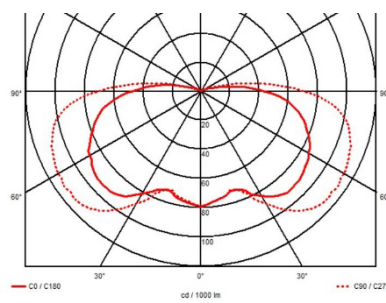
## NEPTUNE LED POST TOP

### DIMENSIONS

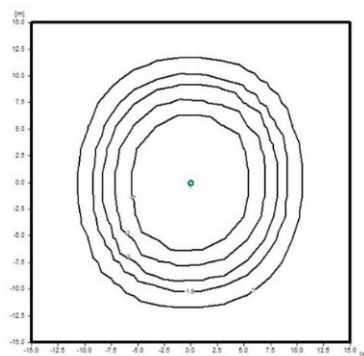


### TYPICAL LIGHT DISTRIBUTION OPTIONS\*

- POLAR DIAGRAMS



- ISOLUX DIAGRAMS



- \*Other light distribution options available on request.
- For best light distribution option please request a lighting design for specific application.



# NEPTUNE LED POST TOP

## PRODUCT VARIATIONS & ORDERING CODES

Typical Power Consumption (W)	Effective Lumen output *1 (lm)	CCT (K)	CRI *1	Lumen Maintenance *2	Efficacy (lm/W)	Weight (Kg)
16	2 700	4000	80	L80	118	4.8
35	4 000				114	
50	6 820				136	

### KEY's & IMPORTANT NOTES

(\*1) Measurement precision for flux +/- 5%, for efficacy +/- 6%, for CRI +/- 1.5

(\*2) Lumen maintenance L80 = 80% of initial flux @ ta 35°C / 60 000hrs

- **E.&O.E.** (errors and omissions excepted)
- **Important note:**  
Due to the rapid development in LED technology the performance values, power consumption and lumen output levels stated above are subject to change without prior notice.