



## VULCAN LED

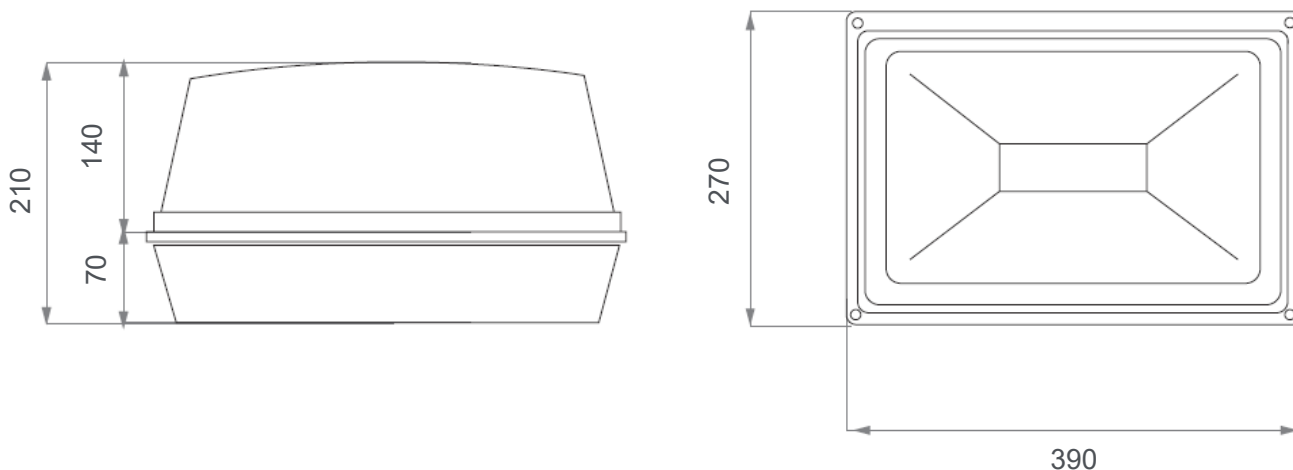


### GENERAL TECHNICAL DATA & WARRANTY INFORMATION.

<b>Typical applications:</b>	<ul style="list-style-type: none"> <li>• Industrial application</li> <li>• Passage lighting</li> <li>• Security and perimeter lighting</li> <li>• Tunnel lighting application</li> <li>• General mining and conveyor applications</li> </ul>
<b>Light source:</b>	LED
<b>Colour temperature:</b>	<ul style="list-style-type: none"> <li>• 3000K*</li> <li>• 4000K</li> <li>• 5000K*</li> </ul>
<b>Operating temperature range:</b>	-30°C to 55°C
<b>Design life:</b>	50 000 hours
<b>Typical lumen maintenance:</b>	L80 @ 50 000 hours
<b>IP Rating:</b>	IP66
<b>Luminaire housing:</b>	High-pressure die-cast LM6 aluminium.
<b>Fasteners:</b>	<ul style="list-style-type: none"> <li>• 304 Grade stainless steel</li> <li>• 316 Grade stainless steel *</li> </ul>
<b>Diffuser:</b>	Injection moulded high-impact acrylic diffuser with internal prisms
<b>Weight:</b>	4.5kg
<b>Power supply:</b>	220V to 240V AC 50/60 Hz
<b>Power factor:</b>	0.98
<b>Insulation classification:</b>	Class 1
<b>Compliance standard/s:</b>	SANS 60598-2-1

[\*Available on request]

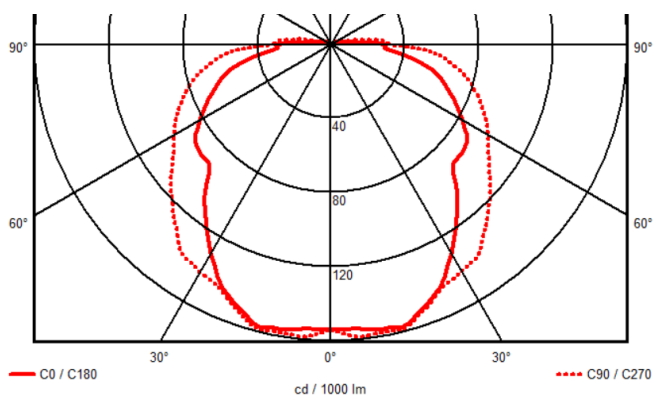
### DIMENSIONS





# VULCAN LED

## TYPICAL LIGHT DISTRIBUTION



- For best light distribution option please request a lighting design for specific application.

## PRODUCT VARIATIONS

Typical Power Consumption (W)	Nominal effective lumen output *1 (lm)	Typical effective Lumen output *1 (lm)	Typical efficiency (lm/W)
35	5787	4 630	132
50	8 681	6 945	138
70	7 408	9 260	132

## KEY's & IMPORTANT NOTES

(*1) Measurement precision for flux +/- 5%, for efficacy +/- 6%, for CRI +/- 1.5
(*2) 80 CRI available on request
(*3) Lumen maintenance L80 = 80% of initial flux @ ta 25°C / 50 000hrs

- **E.&O.E.** (errors and omissions excepted)
- **Important note:**
  - Due to the rapid development in LED technology the performance values, power consumption and lumen output levels stated above are subject to change without prior notice.
  - Retrofitting a installed product and making changes to its original construction and electrical configuration voids any safety or performance certification the product was originally supplied with