



VULCAN EVO LED



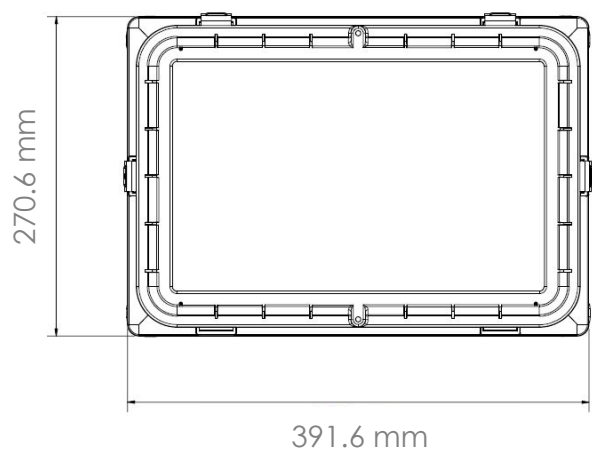
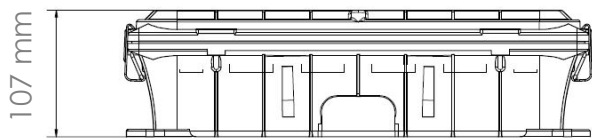
GENERAL TECHNICAL DATA & WARRANTY INFORMATION

Typical applications:	<ul style="list-style-type: none"> • Industrial application • Passage lighting • Security and perimeter lighting • Tunnel lighting application • General mining and conveyor applications
Light source:	High powered LED Modules / Light Engine
Colour temperature:	<ul style="list-style-type: none"> • 3000K* • 4000K • 5000K* [*Available on request]
Operating temperature range:	-30°C to 55°C
Typical Lumen maintenance:	L80 @ 100 000 hours
IP Rating:	IP65
Luminaire housing:	High-pressure die-cast LM6 aluminium finished with a durable dark grey* polyester epoxy powder coating. [*Grey is the standard colour, unpainted or other colours available on request]
Luminaire clips and fasteners:	<ul style="list-style-type: none"> • 304 Grade* stainless steel • [*316 Grade available on request]
Diffuser:	4mm Clear tempered glass diffuser
Optics:	Optical grade acrylic (PMMA) Zhaga book 1.5 compliant lenses
Impact protection grade:	IK08
Mounting options:	Surface
Dimmable:	1-10V or DALI* [Available on request]
Emergency option:	1hr* [Available on request]
Surge protection:	20kV / 20kA
Power supply:	220V to 240V AC 50 Hz
Power factor:	0.98
Insulation classification:	Class 1
Compliance standard/s:	<ul style="list-style-type: none"> • SANS / IEC 60598-2-1 • SANS 475
Warranty:	<ul style="list-style-type: none"> • 20 year warranty on luminaire body • 5 year warranty on internal components [This warranty only covers defects or malfunctions caused during the manufacturing process or premature component failures that occur under normal operating conditions]

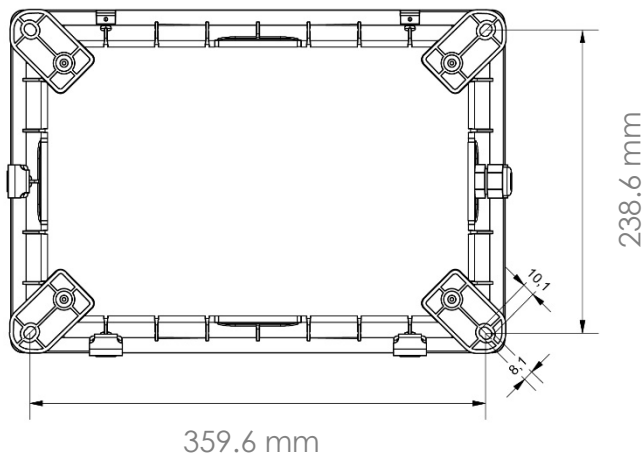


VULCAN EVO LED

DIMENSIONS

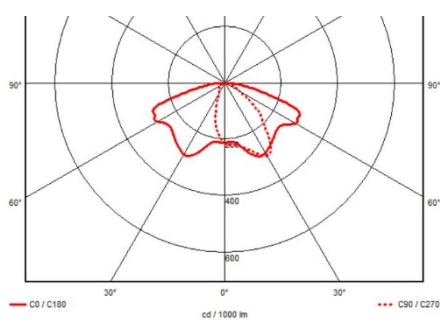


Mounting feet dimensions

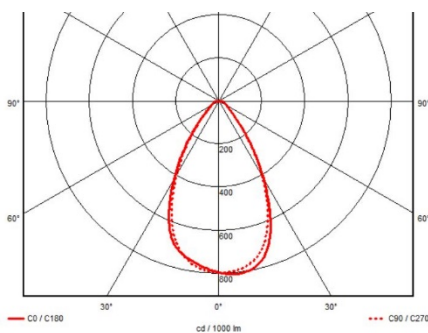


TYPICAL LIGHT DISTRIBUTION

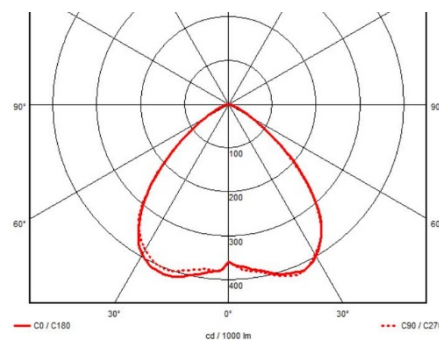
- POLAR DIAGRAM



Optic: 41800



Optic: 41808



Optic: 41818

- For best light distribution option please request a lighting design for specific application.



VULCAN EVO LED

PRODUCT VARIATIONS & ORDERING CODES

Typical Power Consumption (W)	Effective Lumen output *1 (lm)	CCT (K)	CRI *1	Lumen Maintenance *2	Efficacy (lm/W) *1
20	2 500	4000	70	L80	125
25	3 100				124
35	4 200				120
55	5 850				106

KEY's & IMPORTANT NOTES

(*1) Measurement precision for flux +/- 5%, for efficacy +/- 6%, for CRI +/- 1.5
(*2) Lumen maintenance L70 = 70% of initial flux @ ta 35°C / 60 000hrs
(*3) 80 CRI available on request

- **E.&O.E.** (errors and omissions excepted)
- **Important note:**
Due to the rapid development in LED technology the performance values, power consumption and lumen output levels stated above are subject to change without prior notice.