



GENLUX LIGHTING

a lighting technology company

ULTIMO LED HIGH BAY



GENERAL TECHNICAL DATA & WARRANTY INFORMATION

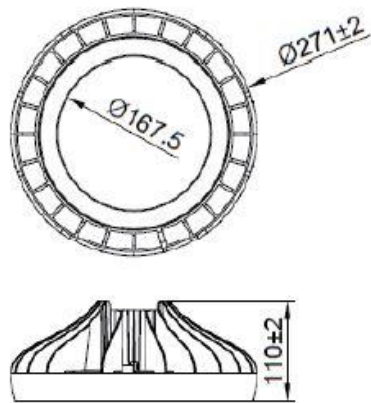
Typical applications:	<ul style="list-style-type: none"> • Warehouses • Factories • Work shops • Large-format retail stores
Light source:	High powered LED Modules
Colour temperature:	<ul style="list-style-type: none"> • 4000K • 5700K* [*Available on request]
Operating temperature range:	-30°C to 55°C
Relative humidity:	5% to 95%
Design life:	50 000 hours
Typical Lumen maintenance:	L70 @ 50 000 hours
IP Rating:	IP65 (Lamp and gear compartment)
Luminaire housing:	High-pressure die-cast LM6 aluminum finished with a durable black polyester epoxy powder coating.
Diffuser:	Clear tempered glass diffuser
Mounting options:	Strain cable or chain suspended
Power supply:	220V to 240V AC 50/60 Hz
Power factor:	0.98
Insulation classification:	Class 1
Compliance standard/s:	IEC 60598-2-1
Warranty:	5 year warranty [This warranty only covers defects or malfunctions caused during the manufacturing process or premature component failures that occur under normal operating conditions]



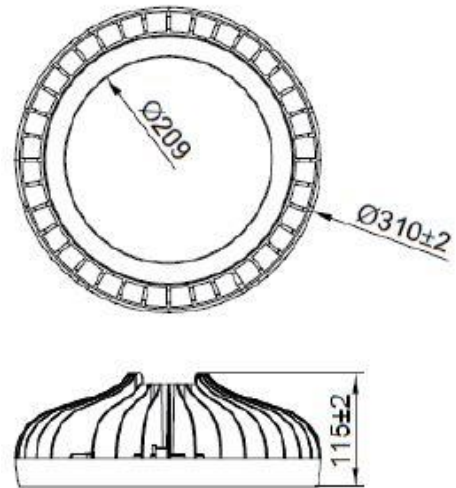
ULTIMO LED HIGH BAY

MODULE DIMENSIONS

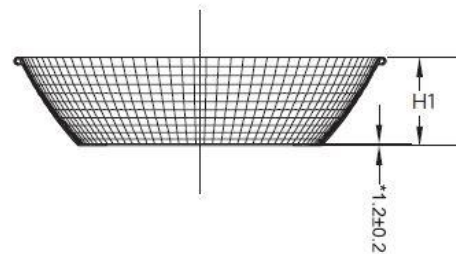
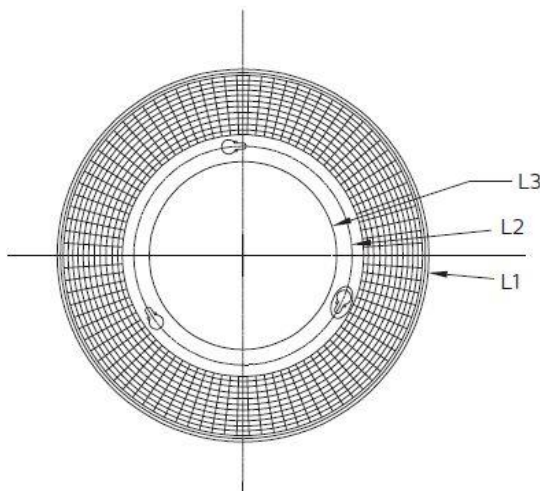
10KLM & 15KLM



20KLM & 24KLM



REFLECTOR DIMENSIONS



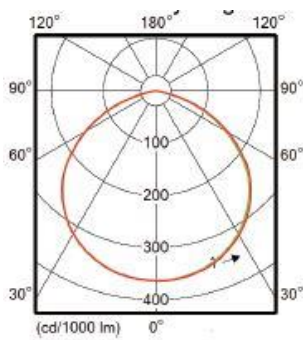


ULTIMO LED HIGH BAY

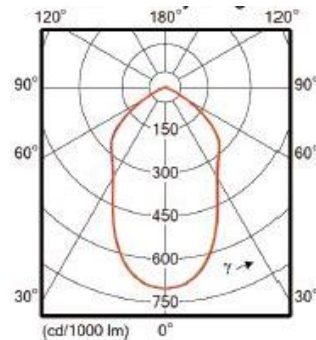
Parameter	270mm 60D 10KLM & 15KLM	270mm 90D 10KLM & 15KLM	310mm 60D 20KLM & 24KLM	310mm 90D 20KLM & 24KLM
	(mm)			
Diameter (L1)	337		380.5	373
Diameter (L2)	198		238	
Diameter (L3)	170		210	
Height (H1)	337		380.5	373
Width	80		86.5	80

TYPICAL LIGHT DISTRIBUTION OPTIONS

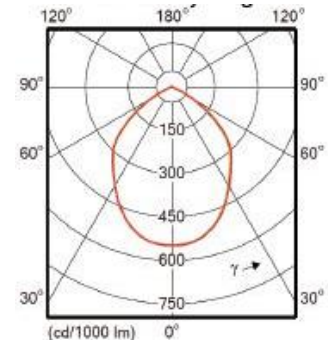
- POLAR DIAGRAMS



(No Reflector)



(60D Reflector)



(90D Reflector)

- For best light distribution option please request a lighting design for specific application.



ULTIMO LED HIGH BAY

PRODUCT VARIATIONS & ORDERING CODES

Typical Power Consumption (W)	Effective Lumen output *1 (lm)	CCT (K)	CRI *1	Lumen Maintenance *2	Efficacy (lm/W) *1	Reflector options	Ordering Code						
70	10000	4000	80	L70	142	N/R	24410						
						60D	24411						
						90D	24412						
100	15000				4000	80	L70	150	N/R	24420			
									60D	24421			
									90D	24422			
135	20000							4000	80	L70	148	N/R	24430
												60D	24431
												90D	24432
165	24000	4000	80	L70							145	N/R	24440
												60D	24443
												90D	24444

KEY's & IMPORTANT NOTES

(*1) Measurement precision for flux +/- 5%, for efficacy +/- 6%, for CRI +/- 1.5

(*2) Lumen maintenance L70 = 70% of initial flux @ 50 000hrs

- **E.&O.E.** (errors and omissions excepted)
- **Important note:**
Due to the rapid development in LED technology the performance values, power consumption and lumen output levels stated above are subject to change without prior notice.