



GENLUX LIGHTING

a lighting technology company

A division of
ACTOM (Pty) LTD



VULCAN BULKHEAD INDUSTRIAL LIGHTING

IP66



MH

MV

HPS

CFL

LAMP TECHNICAL DATA

- Light source: HID and CFL lamps.
- Lamp options:
 - MH (Metal Halide):
 - 50W
 - 70W
 - 100W
 - 150W
 - MV (Mercury Vapour):
 - 80W
 - 125W
 - HPS (High Pressure Sodium)
 - 50W
 - 70W
 - 100W
 - 150W
 - CFL:
 - 2 x 26W
- Lamp holder:
 - GES
 - ES porcelain
 - PL two pin

LUMINAIRE TECHNICAL DATA

- IP rating: IP66.
- Housing material: The main body is manufactured from die cast LM6 aluminium. All external bolts are stainless steel. Helicoils are fitted into the aluminium body to prevent corrosion.
- Housing material colour: Raw aluminium. (RAW). Other options available on request.
- Reflector: A single piece die formed full length reflector, fitted into the luminaire.
- Wire guard options:
 - No wire guard (STD)
 - Wire guard (WG)

- Mounting: External mounting brackets.
- Diffuser material: Injection moulded high resistant UV stabilised diffuser, fastened to the body via four captive stainless steel screws.
- Control gear: The choke, capacitor and ignitor is fastened directly to the removable gear tray via four keyholes.
- Electrical connection: A three way 15 amp connector block is provided in the gear compartment. A 20mm plug in is provided on the one side.
- Power supply: 220V to 240V AC 50 Hz.
- Insulation classification: Class I.
- Nett weight: 4.5kg.

APPLICATION

- Industrial application
- Passage lighting
- Security and perimeter lighting
- Tunnel lighting application
- Mining application
- Residential lighting
- Perimeter lighting

COMPLIANCE STANDARD

- SABS test reports on request.
- SANS 60598-2-1

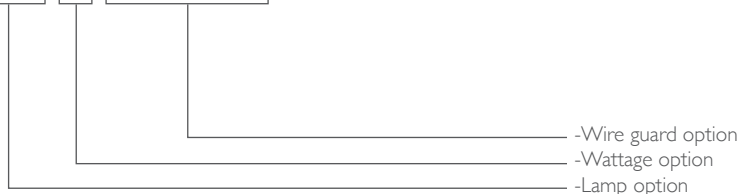
WARRANTY

- 1 year warranty on electronics.
- 20 year warranty on all die cast aluminium components.



ORDERING DETAILS

PRODUCT CODE: VULCAN / LAMP / W / WIRE GUARD



Lamp options (W):

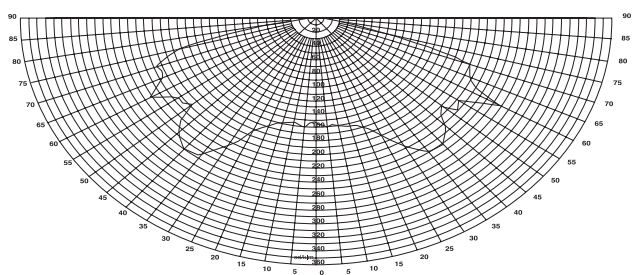
MH	50W	70W	100W	150W
MV	80W	125W		
HPS	50W	70W	100W	150W
CFL	2x26W			

Wire guard options (K):

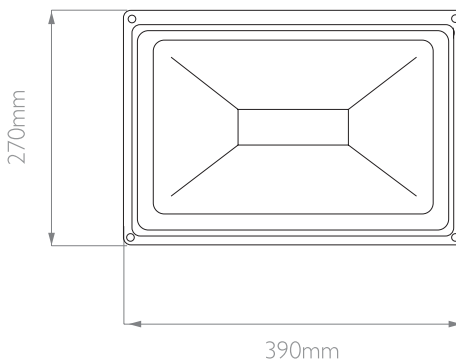
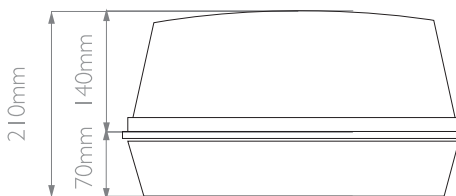
Options available	STD	WG
-------------------	-----	----

PHOTOMETRIC DIAGRAM

(IES Files available on request)



DIMENSIONS



PRODUCT IMAGES



PROJECT NAME:

QUANTITY:

PRODUCT CODE:

REQUESTED BY (Name, Surname, Company and Contact Details):

Name and Surname:

Company:

Email:

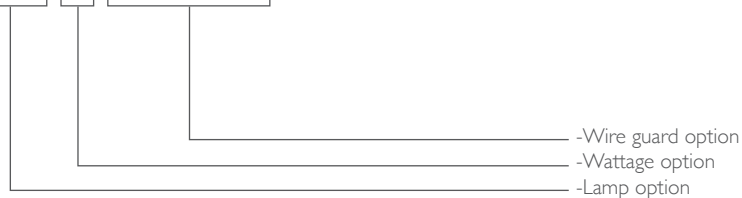
Phone Number:



VULCAN BULKHEAD INDUSTRIAL LIGHTING

ORDERING DETAILS

PRODUCT CODE: VULCAN / / /



Lamp options (W):

MH	50W	70W	100W	150W
MV	80W	125W		
HPS	50W	70W	100W	150W
CFL	2x26W			

Wire guard options (K):

Options available	STD	WG
-------------------	-----	----



GENLUX LIGHTING

a lighting technology company

A division of
ACTOM (Pty) LTD