



GENLUX LIGHTING

a lighting technology company

A division of
ACTOM (Pty) LTD

PEGASUS POST TOP OUTDOOR LIGHTING

IP65



HPS

MH

MV

CFL

LAMP TECHNICAL DATA

- Light source: HID and CFL.
- Lamp options:

HPS (High Pressure Sodium): -70W	-100W
MV (Mercury Vapour): -125W	
MH (Metal Halide): -70W	-100W
CFL	
-1 x 18W PL	-2 x 18W PL
-1 x 26W PL	-2 x 26W PL
-1 x 57W PL	
- Total Luminous Flux:

HPS (High Pressure Sodium): -70W: 6600 lm	-100W: 10700 lm
MV (Mercury Vapour): -125W: 6800 lm	
MH (Metal Halide): -70W: 8000 lm	-100W: 12000 lm
CFL	
-1 x 18W PL: 1200 lm	-2 x 18W PL: 2 x 1200 lm (2400 lm)
-1 x 26W PL: 1800 lm	-2 x 26W PL: 2 x 1800 lm (3600 lm)
-1 x 57W PL: 4800 lm	
- Efficacy

HPS (High Pressure Sodium): -70W: 94 lm/W	-100W: 107 lm/W
MV (Mercury Vapour): -125W: 54 lm/W	
MH (Metal Halide): -70W: 114 lm/W	-100W: 120 lm/W
CFL	
-1 x 18W PL: 66 lm/W	-2 x 18W PL: 2 x 66 lm/W (133 lm/W)
-1 x 26W PL: 69 lm/W	-2 x 26W PL: 2 x 69 lm/W (138 lm/W)
-1 x 57W PL: 84 lm/W	
- Lamp Holder (As per lamp type):
 - ES porcelain
 - GES porcelain
 - PL two or four pin lamp holder

- Light distribution options:
 - Symmetrical light distribution (SYMM)
 - Asymmetrical light distribution (ASYMM)
- Diffuser: Vacuum formed high impact acrylic .
- Diffuser options:
 - Opal (OPAL)
 - Clear (CLR)
 - Prismatic (PRISMAT) *Internal**
- Louvers: White aluminium louvers for a lower glare, diffused and evenly shaped beam spread.
- Control gear: Choke, capacitor and ignitor are fastened directly to the luminaire body.
- Gear tray: Galvanised mild steel, fitted into the main body by two nuts.
- Gasket: Two gaskets of silicone material are fitted between the diffuser and the luminaire cover and another between the spigot and the diffuser.
- Mounting spigot size: Ø76mm.
- Mounting: Spigot secured to the pole by means of three stainless steel grub screws with a mounting height of 3m to 5m high.
- Power supply: 220V to 240V AC 50 Hz.
- Insulation classification: Class 1.
- Electrical connection: A three way 15 amp connector block provided in the control gear compartment.
- Nett weight: 5.4kg.

APPLICATION

- Class B roads and parking areas
- Commercial and residential areas

COMPLIANCE STANDARD

- SABS test reports on request
- SANS 60598-2-3
- Lamp holder: EN60238-1: 2004 + A1: 2008 + A2: 2011

WARRANTY

- 20 year warranty on the luminaire body
- 12 warranty on internal components

LUMINAIRE TECHNICAL DATA

- IP rating: IP65.
- Spigot material: Die cast LM6 aluminium finish with durable corrosion and weather resistant epoxy powder coating. Stainless steel spigot screws for all weather conditions.
- Lid: Luminaire cover made from a spun aluminium.
- Securing knob: The securing knob is manufactured from a low pressure die cast aluminium and powder coated to match the body's colour.
- Luminaire colour options:

■	■	■	■	■
-Light grey (LGRY)				-Dark grey (DGRY)
-Green (GREEN)				-Black (BLK)
-White (WHT)				



ORDERING DETAILS

PRODUCT CODE: PEGASUS / LAMP / W / DISTRIBUTION / DIFFUSER / COLOUR



Lamp options (W):

MH	70W	100W			
HPS	70W	100W			
MV	125W				
CFL (PL)	1x18W	2x18W	1x26W	2x26W	1x57W

Light distribution options:

Option available	SYMM	ASYMM
------------------	------	-------

Diffuser colour options:

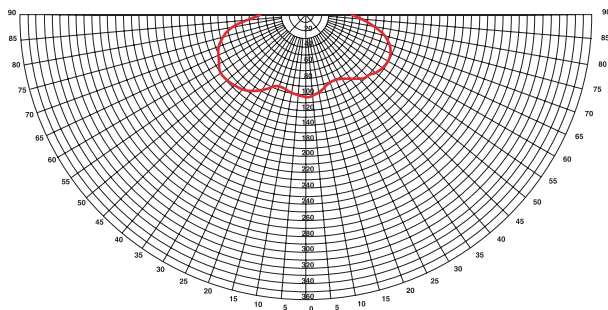
Options available	OPAL	CLR	PRISMAT
-------------------	------	-----	---------

Luminaire colour options:

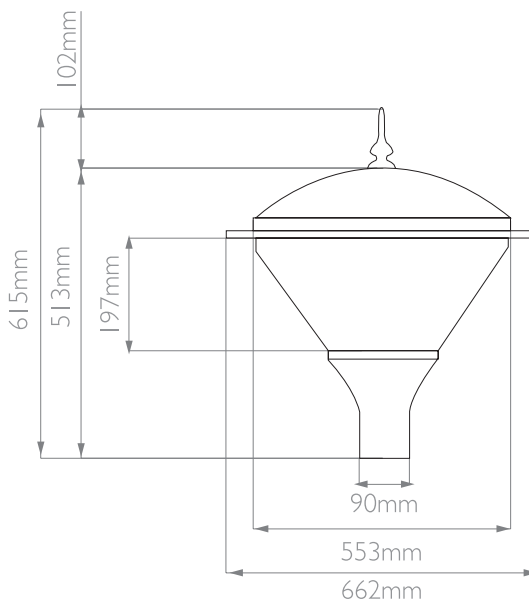
Options available	LGRY	DGRY	GREEN	BLK	WHT
-------------------	------	------	-------	-----	-----

PHOTOMETRIC DIAGRAM

(IES Files available on request)



DIMENSIONS



PRODUCT IMAGES



PROJECT NAME:

QUANTITY:

PRODUCT CODE:

PEGASUS/

REQUESTED BY (Name, Surname, Company and Contact Details):

Name and Surname:

Company:

Email:

Phone Number:



PEGASUS POST TOP OUTDOOR LIGHTING

ORDERING DETAILS

PRODUCT CODE: PEGASUS / LAMP / W / DISTRIBUTION / DIFFUSER / COLOUR



Lamp options (W):

MH	70W	100W			
HPS	70W	100W			
MV	125W				
CFL (PL)	1x18W	2x18W	1x26W	2x26W	1x57W

Light distribution options:

Option available	SYMM	ASYMM
------------------	------	-------

Diffuser colour options:

Options available	OPAL	CLR	PRISMAT
-------------------	------	-----	---------

Luminaire colour options:

Options available	LGRY	DGRY	GREEN	BLK	WHT
-------------------	------	------	-------	-----	-----



GENLUX LIGHTING

a lighting technology company

A division of
ACTOM (Pty) LTD

Email: genluxsales@actom.co.za

Tel: (011) 825-3144

Website: www.genluxlighting.co.za