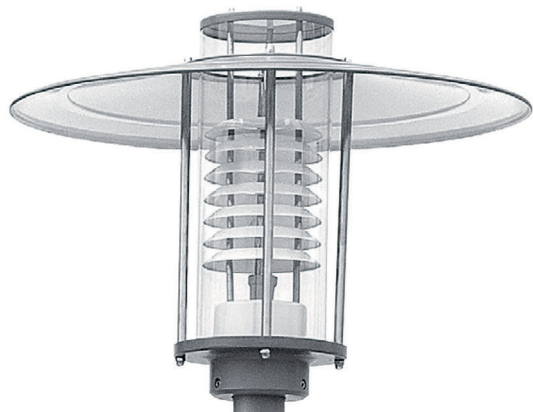




GENLUX LIGHTING

a lighting technology company

A division of
ACTOM (Pty) LTD



GALILEO SLIM POST TOP OUTDOOR LIGHTING

IP54



MH

HPS

LAMP TECHNICAL DATA

- Light source: HID
- Lamp options:
 - MH (Metal Halide)
 - 35W
 - 70W
 - HPS (High Pressure Sodium)
 - 70W
- Total luminous flux:
 - MH (Metal Halide)
 - 35W: 3500 lm
 - 70W: 7200 lm
 - HPS (High Pressure Sodium)
 - 70W: 6300 lm
- Efficacy:
 - MH (Metal Halide)
 - 35W: 100 lm/W
 - 70W: 102 lm/W
 - HPS (High Pressure Sodium)
 - 70W: 90 lm/W
- Lamp Holder: E27

LUMINAIRE TECHNICAL DATA

- IP rating: IP54.
- Housing material: Base is manufactured in a die cast aluminium equivalent to LM6, finished with durable corrosion and weather resistant epoxy powder coating. Stainless steel spigot screws for all weather conditions. Canopy surface and mast element coated in high grade weather resistant epoxy powder.
- Diffuser: Transparent UV stabilised PMMA diffuser with an aluminium louver system providing glare control.
- Lid: Spun aluminium.
- Louvers: Aluminium louvers for a lower glare, diffused and evenly shaped beam spread.
- Corrosion proof.

- Beam angle: Symmetrical anti glare diffused beam spread.
- Poles: Galvanised steel with primary powder coating for high corrosion resistance. *Poles sold separately**
- Mounting spigot: Ø76mm.
- Power supply: 220V to 240V AC.
- Insulation classification: Class I.
- Nett weight: 6kg (Luminaire only).

APPLICATION

- Residential areas
- Commercial areas
- Parks
- City centers
- Car Parks
- Public and Private areas
- Pedestrian precincts
- Gardens
- Hotel application

COMPLIANCE STANDARD

- EN60598
- Lamp holder: EN60238-1: 2004 + A1: 2008 + A2: 2011

WARRANTY

- 5 year warranty on luminaire body
- 12 month warranty on internal components



GENLUX LIGHTING

a lighting technology company

A division of
ACTOM (Pty) LTD

ORDERING DETAILS

PRODUCT CODE: GALILEOSLIM / LAMP / W

LAMP / W

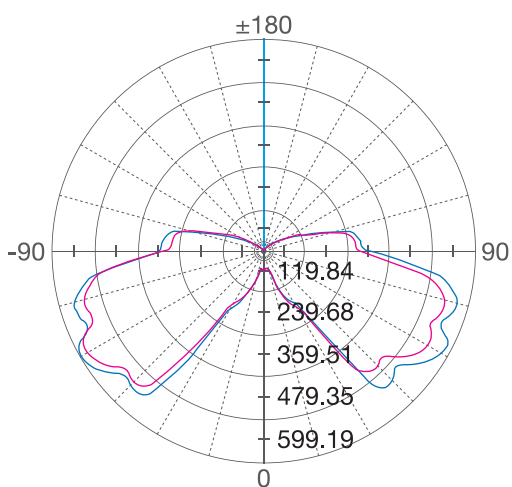
-Wattage option
-Lamp option (MH or HPS)

Lamp options (W):

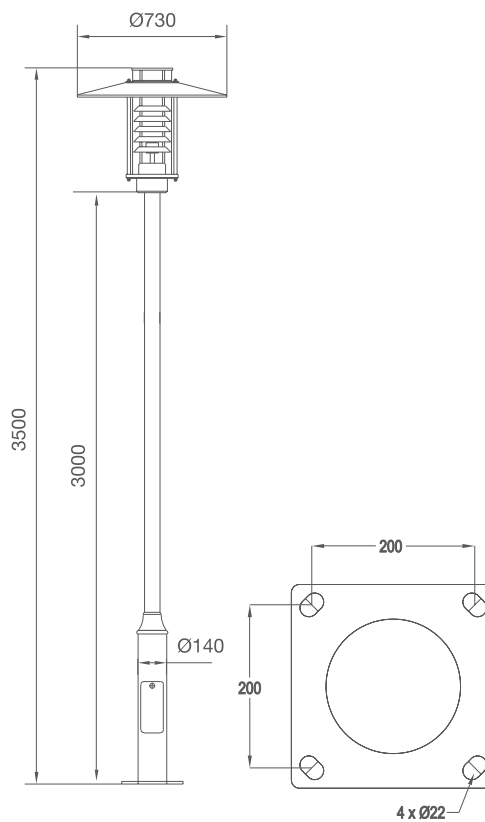
MH	35W	70W
HPS	70W	

PHOTOMETRIC DIAGRAM

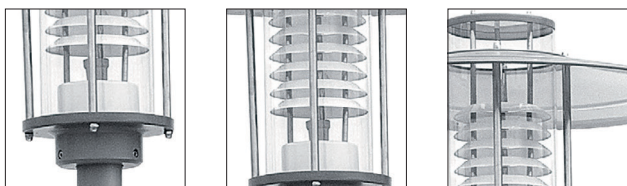
(IES Files available on request)



DIMENSIONS



PRODUCT IMAGES



PROJECT NAME:

QUANTITY:

PRODUCT CODE:

GALILEOSLIM/

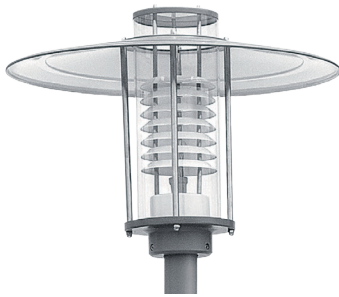
REQUESTED BY (Name, Surname, Company and Contact Details):

Name and Surname:

Company:

Email:

Phone Number:



GALILEO SLIM POST TOP OUTDOOR LIGHTING

ORDERING DETAILS

PRODUCT CODE: GALILEOSLIM / LAMP / W

-Wattage option

-Lamp option (MH or HPS)

Lamp options (W):

MH	35W	70W
HPS	70W	



GENLUX LIGHTING

a lighting technology company

A division of
ACTOM (Pty) LTD

Email: genluxsales@actom.co.za

Tel: (011) 825-3144

Website: www.genluxlighting.co.za