



HERCULES FLOODLIGHT

INDUSTRIAL FLOOD LIGHTING



LAMP TECHNICAL DATA

- Light source: HID
- Lamp options: MH (Metal Halide single ended): 2000W @ 340V
- Total luminous flux:
2000W: 230000 lm
- Efficacy:
2000W: 115 lm/W
- Lamp holder:
-E40 GES porcelain

LUMINAIRE TECHNICAL DATA

- IP rating: IP65 (Lamp compartment)
IP66 (Gear compartment)
- Housing material: High grade pressed sheet LM20 aluminium, powder coated in silver and sealed by means of anti-aging silicone gaskets.
- Lamp holder cup: Die cast LM20 aluminium.
- Stainless steel screws and clips.
- Gaskets: Anti aging silicone gaskets.
- Ignitor box: Ignitor box for housing of ignitor when required or for use of junction box.
- Diffuser: Hinged high-impact heat-resistant glass.
- Reflector: Narrow beam high purity polished aluminium reflector systems.
- Mounting: Hot dip galvanised stirrup bracket with index for vertical indexing. Aiming protractor secured to the mounting bracket for angling of the floodlight.
- Hinge: Stainless steel springs for opening and closing.
- Control gear: Housed separately in a high-grade aluminium housing.
- Pressure compensation filter in Teflon.
- Relamping through the glass.
- Corrosion proof.
- Protection grade: IK08.

- Electrical connection: A three way 30 amp connector block is provided in the control gear compartment.
- Light distribution options:
 - Symmetrical light distribution (SYMM)
 - Asymmetrical light distribution by means of a baffle (ASYMM)
- Beam angle options:
 - Symmetrical light distribution:
 - Narrow beam angle (NB)
 - Wide beam angle (WB)
 - Asymmetrical light distribution:
 - Medium beam angle (MB)
 - Wide beam angle (WB)
- Windage area: 0.27m².
- Power supply: 380V AC 50/60 Hz.
- Insulation classification: Class I.
- Nett weight: 16kg.

APPLICATION

- Security and perimeter lighting
- High mast applications
- Stadium lighting applications
- Sporting field applications
- Industrial applications
- Signage boards and billboard applications
- Directional lighting

COMPLIANCE STANDARD

- SABS test reports on request
- SANS 60598-2-5
- Lamp holder: EN60238-1: 2004 + A1: 2008 + A2: 2011

WARRANTY

- 5 year warranty on the luminaire body
- 3 year warranty on all internal components



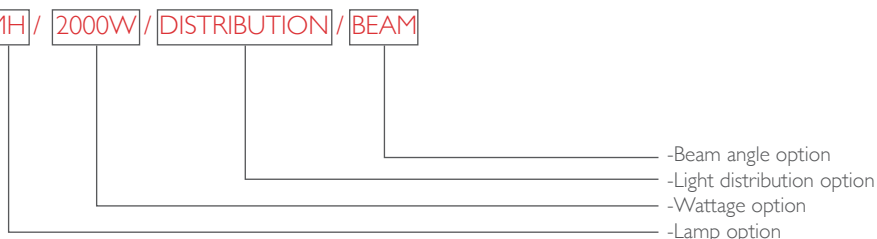
GENLUX LIGHTING

a lighting technology company

A division of
ACTOM (Pty) LTD

ORDERING DETAILS

PRODUCT CODE: HERCULES / MH / 2000W / DISTRIBUTION / BEAM



Lamp option (W):

MH	2000W
----	-------

Light distribution option:

Options available	SYMM	ASYMM
-------------------	------	-------

Beam angle options:

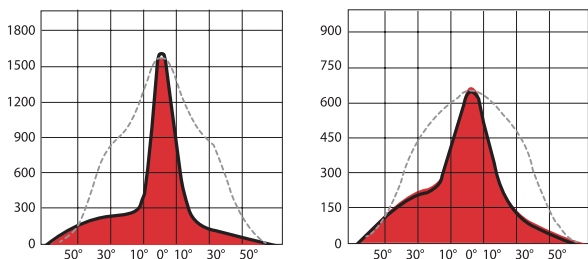
SYMM	NB	WB
ASYMM	MB	WB

INTENSITY DISTRIBUTION DIAGRAM

(IES Files available on request)

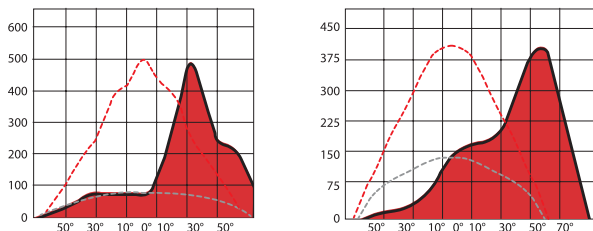
Symmetrical light distribution (SYMM)

-Narrow beam angle (NB) -Wide beam angle (WB)



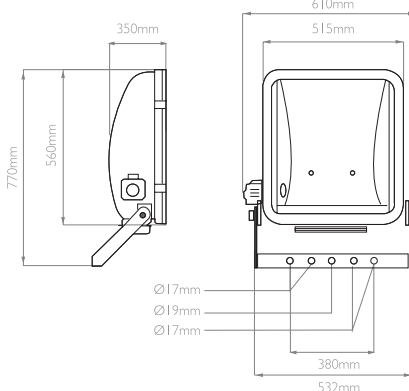
Asymmetrical light distribution (ASSYM)

-Medium beam angle (MB) -Wide beam angle (WB)

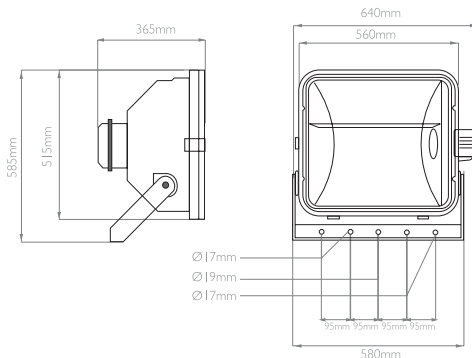


DIMENSIONS

-Symmetrical body dimensions



-Asymmetrical body dimensions



PRODUCT IMAGES



PROJECT NAME:

QUANTITY:

PRODUCT CODE:

HERCULES/MH/2000W

REQUESTED BY (Name, Surname, Company and Contact Details):

Name and Surname:

Company:

Email:

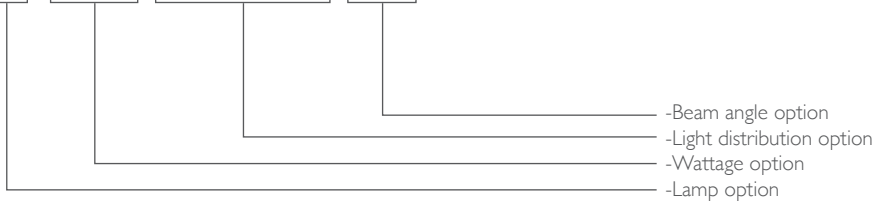
Phone Number:



HERCULES FLOODLIGHT INDUSTRIAL LIGHTING

ORDERING DETAILS

PRODUCT CODE: HERCULES / MH / 2000W / DISTRIBUTION / BEAM



Lamp option (W):

MH	2000W
----	-------

Light distribution option:

Options available	SYMM	ASYMM
-------------------	------	-------

Beam angle options:

SYMM	NB	WB
ASYMM	MB	WB



GENLUX LIGHTING

a lighting technology company

A division of
ACTOM (Pty) LTD

Email: genluxsales@actom.co.za

Tel: (011) 825-3144

Website: www.genluxlighting.co.za